



VIGILANT PERFORMANCE SERIES



Meets federal government technical requirements

ALIBI VIGILANT PERFORMANCE 4MP ILLUMINITE STARLIGHT SMARTSENSE FIXED TURRET IP CAMERA

Key Features:

- + 4MP IP Turret Camera
- + 2.8mm fixed lens with 109 degree field of view
- + Starlight chipset (.0005 lux) for color in low light
- + Built-in white light LEDs for color video 24/7
- + Powerful human and vehicle detection analytics
- + 1/1 Alarm in/out; 1/1 audio in/out
- + Built-in mic support
- + 120dB True Wide Dynamic Range (WDR)
- + IK10 Vandal resistant housing design
- + IP67 protection for all weather conditions
- + MicroSD up to 256GB
- + NDA A Compliant
- + One-click Cloud firmware updating

This security camera delivers crisp video day or night with a Starlight chipset and built-in white light LEDs that help you capture color video 24/7.

Multi-megapixel resolution – Get more detail from your video camera. This camera captures multi-megapixel high-resolution video footage that delivers crisp, precise detail and clarity for your video security needs.

SmartSense technology – utilizes AI deep learning developed data algorithms to identify human and vehicular targets with extreme accuracy and reduce false alarms.

IllumiNite Technology featuring Starlight chipsets – features an HD progressive scan CMOS sensor, capturing clear and vivid color images day or night – even in extremely dark environments.

3D Digital Noise Reduction (DNR) effectively filters noise to produce a crisper, clear video stream.

IP67 weatherproof housing - this turret camera delivers long-term durability even among extreme weather conditions such as rain, snow, and ice and has a wide temperature range of -22 degrees to 140 degrees Fahrenheit.

True Day/Night feature – allowing you to capture better images in any lighting conditions.

Full Frame Illumination with Smart IR Smart full-frame illumination technology offers several advantages over standard IR for flawless night vision.

Innovative Day/Night Scene Detection – includes a hardware sensor for smart software imaging that detects surveillance scene illumination. Designed to be water and dust-proof, this allows you to avoid unexpected costs of hardware failure.

HTML5 Plugin Free – use on almost any Browser for support:

- Plug-in required live view: IE9+, Chrome 41 and below, Firefox 52 and below
- Plug-in free live view: Chrome 57.0+, Firefox 58.0+, Edge 16+, Safari 11+

Ultra H.265 Compression – reduce bandwidth and storage requirements. With Ultra H.265 compression technology, you can store more information using less hard drive space. Ultra H.265 also helps you minimize bandwidth requirements for high-resolution video and makes the remote viewing less demanding on the recorder.

Intuitive interface – everything you need to manage your system at your fingertips. With an intuitive interface and access to the free Vigilant Mobile App and Vigilant CMS, system management has never been simpler.



Sequentex
561-600-1321
www.sequentex.com

SPECIFICATIONS

CAMERA

Sensor	1/1.8", 4.0 megapixel, progressive scan, CMOS
Lens	2.8mm@F1.0
DORI Distance	Detect (m): 43.4 Observe (m): 17.4 Recognize (m): 8.7 Identify (m): 4.3
Angle of view(H)	108.6°
Angle of View (V)	81.3°
Angle of View (O)	135.1°
Adjustment angle	Pan: 0° - 360° Tilt: 0° - 75° Rotate: 0° - 360°
Shutter	Auto/Manual, 1 - 1/100000s
Minimum Illumination	Colour: Lux (F1.0, AGC ON) 0Lux with IR on
Day/Night	IR-cut filter with auto switch (ICR)
S/N	>56dB
Defog	Digital Defog
WDR	120dB
LEDs Number	2
LED Distance	Up to m (ft)

VIDEO

Video Compression	Ultra265, H.265, H.264, MJPEG
H.264 code profile	Baseline profile, Main profile, High profile
Frame Rate	Main Stream: 4MP (2688*1520), Max 30fps; 4MP (2560*1440), Max 30fps; 3MP (2304*1296), Max 30fps; 1080P (1920*1080), Max 30fps; 720P (1280*720), Max 30fps; Sub Stream: 720P (1280*720), Max 30fps; D1 (720*576), Max 30fps; 640*360, Max 30fps; 2CIF(704*288), Max 30fps; CIF(352*288), Max 30fps; Third Stream: D1 (720*576), Max 30fps; 640*360, Max 30fps; 2CIF(704*288), Max 30fps; CIF(352*288), Max 30fps;
Video Bit Rate	128 Kbps-16 Mbps
9:16 Corridor Mode	Supported
OSD	Up to 8 OSDs
Privacy Mask	Up to 4 areas
ROI	Up to 8 areas
Motion Detection	Up to 4 areas

IMAGE

White Balance	Auto/Outdoor/Fine Tune/Sodium Lamp/Locked/Auto2
Digital Noise Reduction	2D/3D DNR
Smart IR	Support
Flip	Normal/Vertical/Horizontal/180°/90°Clockwise/90°Anti-clockwise
Dewarping	N/A
HLC	Supported
BLC	Supported

INTELLIGENT

Smart intrusion Prevention	Cross line, intrusion, enter area, leave area detection;
----------------------------	--

Face capture	Support
--------------	---------

EVENTS

Basic Detection	Motion detection, Tampering alarm, Audio Detection
General Function	Watermark, IP Address Filtering, Alarm input, Alarm output, Access Policy, ARP Protection, RTSP Authentication, User Authentication

AUDIO

Audio Compression	G.711
Two-way audio	Supported
Suppression	Supported
Sampling Rate	8KHZ

STORAGE

Edge Storage	Micro SD, up to 256 GB
Network Storage	ANR, NAS(NFS)

NETWORK

Protocols	IPv4, IGMP, ICMP, ARP, TCP, UDP, DHCP, PPPoE, RTP, RTSP, RTCP, DNS, DDNS, NTP, FTP, UPnP, HTTP, HTTPS, SMTP, 802.1x, SNMP, QoS
Compatible Integration Client	ONVIF (Profile S, Profile G, Profile T), API CMS, Mobile
Web Browser	Plug-in required live view: IE9+, Chrome 41 and below, Firefox 52 and below Plug-in free live view: Chrome 57.0+, Firefox 58.0+, Edge 16+

INTERFACE

Audio I/O	Input: impedance 35kΩ; amplitude 2V [p-p]. Output: impedance 600Ω; amplitude 2V [p-p]
Alarm I/O	1/1
Network	1 RJ45 10M/100M Base-TX Ethernet
Built-in Mic	Supported

CERTIFICATION

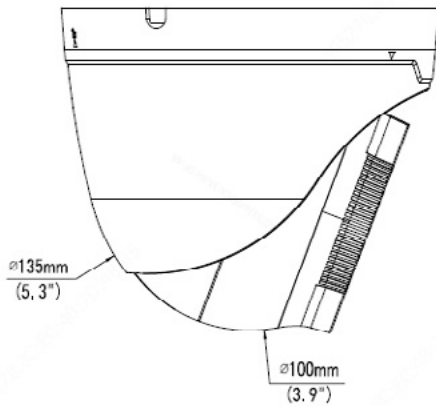
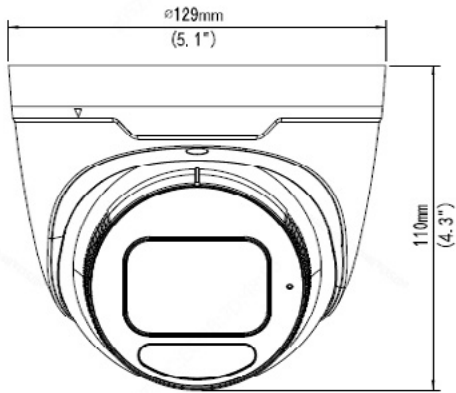
Certifications	CE: EN 60950-1 UL: UL60950-1 FCC: FCC Part 15
----------------	---

GENERAL

Power	DC 12V±25%, PoE (IEEE 802.3af) Power consumption: Max W
Dimensions (Ø x H)	129 x 110mm (5.1" x 4.3")
Net Weight	
Material	Metal
Operating Conditions	-30°C - 60°C (-22°F - 140°F), Humidity: ≤95% RH (non-condensing)
Storage Environment	-30°C - 60°C (-22°F - 140°F), Humidity: ≤95% RH (non-condensing)
Surge Protection	4KV
Ingress Protection	IP67
vandal resistant	IK10
Reset Button	Supported



DIMENSIONS



Smart Analytics supported:

- + Motion Detection
- + Tampering
- + Audio Detection
- + Intrusion Detection
- + Cross Line Detection
- + Enter Area
- + Leave Area
- + Face Detection
- + People Counting (People Flow Counting & Crowd Density)

BRACKETS



Junction Box Waterproof Joint



Fixed Dome Indoor Pendant Mount



Fixed Dome and Fisheye Junction Box



Fixed Dome Outdoor Wall Mount with Junction Box



Fixed Dome Indoor/Outdoor Pendant Mount



Fixed Dome Indoor/Outdoor Pendant Mount



Pole Mount



3-inch Fixed Dome Indoor Wall Mount