



VIGILANT PERFORMANCE SERIES



Meets federal government technical requirements

ALIBI VIGILANT FLEX 2MP 98' SMART IR WI-FI BULLET CAMERA

Key Specifications:

- + 2MP IP Bullet Camera with a 2.8mm lens
- + Built-in Mic
- + Smart IR supports up to 98ft IR distance
- + Ultra 265, H.265, H.264, MJPEG
- + Supports 128 G Micro SD card
- + IK10 vandal resistance
- + IP67 weather resistance
- + NDA A compliant

What's Included

- + (1) Alibi Vigilant Flex Series 2MP WiFi bullet security camera
- + (1) Mounting template
- + (1) Mounting hardware
- + (1) Quick start guide

The Alibi Vigilant Flex Series 2MP WiFi Bullet Network Camera is a versatile camera solution that produces great video - day or night.

- + **Includes MStar chipset** which meets federal government compliance requirements.
- + **Built-in WiFi connectivity** allows gives you maximum flexibility to install this camera in remote locations where cabling could be challenging.
- + **Onboard SD Storage slot** gives you the ability to add up to 128GB of additional storage in the camera.
- + **3D Digital Noise Reduction (DNR)** effectively filters noise to produce a more crisp, clear video stream.
- + **Smart Analytics Include:** Human Body Detection; Motion detection; Tampering alarm; Audio Detection
- + **IP67 weatherproof housing** this bullet camera has a wide temperature range of -22° to 140°F - delivering long-term durability even among extreme weather conditions such as rain, snow, and ice.
- + **Smart Full-Frame Illumination IR** technology offers several advantages over standard IR for flawless night vision, including: Reduces overexposure of the IR LEDs at the center of the image; Increases illuminant efficiency up to 30%; Produces LED light in rectangle form to better fit screen size; Captures images up to 98 feet in the dark without washing out the subject at closer ranges; Clearer, brighter images in low light and at night; Delivers a wider illumination spread; Unique rectangular IR LED design produces a uniformly illuminated image across the entire screen; Reduces overexposure at the center of the image and eliminates hot spots
- + **Megapixel resolution** - cover more area and see more detail. This mini bullet is a high-performing 2 MP camera, providing the level of detail needed for facial recognition and motion detection.

Install almost anywhere, for diverse surveillance needs. This camera's modern WiFi bullet features allow for easy installation in common interior locations like doorways, elevators, and small office spaces. From bright lights to low-lights (even the middle of the night), the Vigilant Flex WiFi bullet camera is everywhere you need it to be with bright,



Sequentex
561-600-1321
www.sequentex.com

SPECIFICATIONS

CAMERA

Sensor	1/2.9", 2.0 megapixel, progressive scan, CMOS
Minimum Illumination	Color: 0.01 Lux (F2.0 AGC ON). 0 Lux with IR on
Day/Night	IR-cut filter with auto switch (ICR)
Shutter	Auto/Manual, 1-1/100000 s
Adjustment Angle	Pan: 0° to 360°, Tilt: 0° to 90°, Rotate: 0° to 360°
S/N	>52dB
WDR	DWDR

LENS

Lens Type	2.8mm and 4.0mm @2.0, Fixed-focal
Lens Mount	M12
Angle of view(H)	101.1°
Angle of View (V)	55.0°
Angle of View (O)	111.0°

DORI DISTANCE

Lens	2.8mm
Detect(m)	45
Observe(m)	18
Recognize(m)	9
Identify(m)	4.5

ILLUMINATOR

IR Range	Up to 30m (98 ft) IR range
Wavelength	850nm
IR On/Off Control	Auto/Manual

VIDEO

Video Compression	Ultra 265, H.265, H.264, MJPEG
H.264 code profile	Baseline profile, Main profile, High profile
Frame Rate	Main Stream: 1080P (1920*1080), Max 30fps; 720P (1280*720), Max 30fps; Sub Stream: 720P (1280*720), Max 30fps; D1 (720*576), Max 30fps; 640*360, Max 30fps; 2CIF(704*288), Max 30fps; CIF(352*288), Max 30fps
Video Bit Rate	128 Kbps-6 Mbps
OSD	Up to 4 OSDs
Privacy Mask	Up to 4 areas
ROI	Up to 8 areas
Motion Detection	Up to 4 areas

IMAGE

White Balance	Auto/Outdoor/Fine Tune/Sodium Lamp/Locked/Auto2
Image Setting	Image rotation, brightness, saturation, contrast, sharpness, gain adjustable by web browser
Digital noise reduction	2D/3D DNR
Smart IR	Supported
Flip	Normal/Vertical/Horizontal/180°
Dewarping	N/A
HLC	Supported
BLC	Supported
Defog	Digital Defog

EVENTS

Basic Detection	Human body detection, Motion detection, tampering alarm, audio detection
General Function	Watermark, IP address filtering, access policy, ARP protection, RTSP authentication, user authentication

AUDIO

Audio Compression	G.711
Suppression	Supported
Sampling Rate	8KHZ

STORAGE

Edge Storage	Micro SD, up to 128GB
Network Storage	ANR,NAS(NFS)

NETWORK

Protocols	IPv4, IGMP, ICMP, ARP, TCP, UDP, DHCP, RTP, RTSP, RTCP, RTMP, DNS, DDNS, NTP, FTP, UPnP, HTTP, HTTPS, SMTP, SSL/TLS, SNMP
Compatible Integration	ONVIF (Profile S, Profile G, Profile T), API , SDK
Security	Password protection, Strong password, HTTPS encryption, Export operation logs, Basic and digest authentication for RTSP, Digest authentication for HTTP, TLS 1.2, WSSE and digest authentication for ONVIF
Client	Alibi Vigilant CMS Alibi Vigilant Toolbox Alibi Vigilant Mobile
Web Browser	Plug-in required live view: IE9+, Chrome 41 and below, Firefox 52 and below Plug-in free live view: Chrome 57.0+, Firefox 58.0+, Edge 16+

SPECIFICATIONS

WI-FI

Wireless Standards	IEEE802.11b/g/n
Frequency Range	2.4 GHz - 2.4835 GHz
Channel Bandwidth	20 MHz Support
Modulation Mode	802.11b: CCK, QPSK, BPSK 802.11g/n: OFDM/HT
Security	64/128-bit WEP, WPA-PSK/WPA2-PSK
Transmit Power	802.11b: 17±1.5dBm @11Mbps 802.11g: 14±1.5dBm @ 54Mbps 802.11n: 12.5±1.5dBm @150Mbps
Receive Sensitivity	802.11b: -90dBm @11Mbps (Typical) 802.11g: -75dBm @54Mbps (Typical) 802.11n: -74dBm @150Mbps (Typical)
Transmission Rate	802.11b: 11Mbps 802.11g: 54Mbps 802.11n: up to 150Mbps

INTERFACE

Network	1 * RJ45 10M/100M Base-TX Ethernet
Built-in Mic	Supported

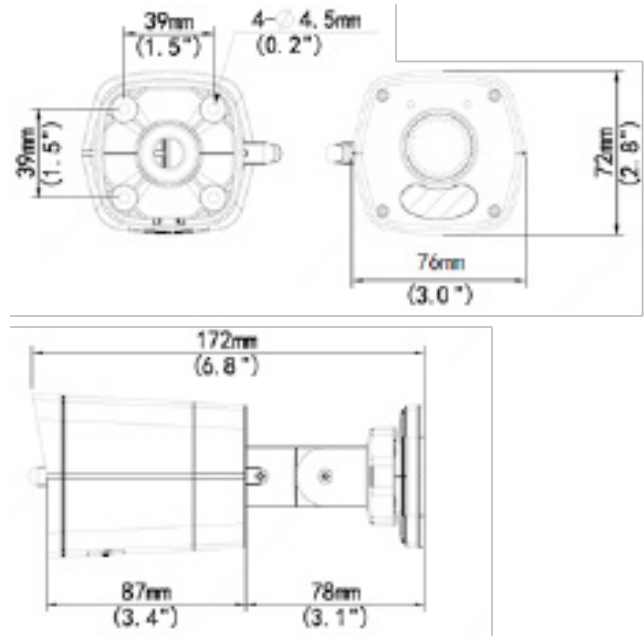
CERTIFICATION

EMC	FCC: FCC Part 15
Safety	CE: EN 60950-1 UL: UL60950-1 IEC 60950-1

GENERAL

Power	DC 12V±25% Power consumption: Max 4.0 W
Power Interface	Ø 5.5mm coaxial power plug
Dimensions (L × W × H)	172 × 76 × 72 mm (6.8" × 3" × 2.8")
Weight	0.25 kg (0.55 lb)
Material	Metal + Plastic
Working Environment	-30°C ~ +60°C (-22°F ~ 140°F), Humidity: ≤95% RH(non-condensing)
Storage Environment	-30°C ~ +60°C (-22°F ~ 140°F), Humidity: ≤95% RH(non-condensing)
Surge Protection	4KV
Reset Button	Supported
Ingress Protection	Ingress protection: IP67

DIMENSIONS



BRACKETS & ACCESSORIES



Junction Box For Mini Bullet Cameras



Pole Mount Adapter for Bullet Cameras



Pole Mount Adapter for Bullet Cameras