



VIGILANT FLEX SERIES



Meets federal government technical requirements

ALIBI VIGILANT FLEX SERIES 2MP STARLIGHT HD-TVI/AHD/CVI/CVBS VANDAL RESISTANT FIXED DOME CAMERA

Key Features:

- + 2MP Resolution Dome Camera
- + 4-in-1 Video Output: HD-TVI/AHD/TVI/CVI: 2M@30fps
- + 2.8mm fixed lens
- + Starlight chipset (.001 lux) for color in low light
- + 65 feet IR range
- + NDAA compliant
- + DWDR (Digital Wide Dynamic Range)
- + DNR (Digital Noise Reduction)
- + IP67 rating handles extreme temperatures
- + IK10 housing design for secure installs

What's Included

- + 2MP Starlight fixed lens dome camera
- + Mounting template
- + Mounting hardware
- + Quick start guide

As part of the Alibi Vigilant Flex Series, this security camera delivers crisp video day or night, providing HD-TVI/AHD/CVI/CVBS output for maximum compatibility. This product has been specifically designed and manufactured to comply with the latest technical requirements specified under NDAA regulations.

Up the Coax (UTC) technology grants you control over the camera's onscreen display (OSD) from your web browser and the Alibi CMS or smartphone app.

Multi-megapixel resolution - Get more detail from your video camera. This camera captures high-resolution video footage that delivers crisp, precise detail and clarity for your video security needs.

3D Digital Noise Reduction (DNR) effectively filters noise to produce a crisper, clear video stream.

IP67 weatherproof housing -this camera can handle long-term durability even among extreme weather conditions such as rain, snow, and ice.

Full Frame Illumination with Smart IR Smart full-frame illumination technology offers several advantages over standard IR for flawless night vision, including:

- Clearer, brighter images in low light and at night
- Reduces overexposure of the IR LEDs at the center of the image
- Increases illuminant efficiency up to 30%
- Produces LED light in rectangle form to better fit screen size
- Captures images in the dark without washing out the subject at closer ranges
- Reduces video noise for a clearer nighttime picture and reduces bandwidth consumption and video storage requirements

Innovative Day/Night Scene Detection - includes a hardware sensor for smart software imaging that detects surveillance scene illumination. Designed to be water and dust-proof, this allows you to avoid unexpected costs of hardware failure.

Intuitive interface - everything you need to manage your system at your fingertips. With an intuitive interface and access to the free Alibi CMS and mobile app, system management has never been simpler.



Sequentex
561-600-1321
www.sequentex.com

SPECIFICATIONS

CAMERA

Image Sensor	1 / 2.8" CMOS
Resolution	2MP
Image Size	1920 x 1080
Video Output	AHD/TVI/CVI/CVBS
Image System	PAL/NTSC
Electronic Shutter	Auto; 1/25s-1/50000s(PAL); 1/30s-1/50000s(PAL)
IR Distance	10-20 m
Frame Rate	30fps(60Hz); 25fps(50Hz)
Min. Illumination	Color : 0.001 lux@F1.2, AGC ON; B/W : 0 lux with IR
Lens	2.8 mm
Field of View	101°
Lens Mount	M12
S / N Ratio	≥52dB (AGC OFF)
Ingress Protection	IP67 & IK10

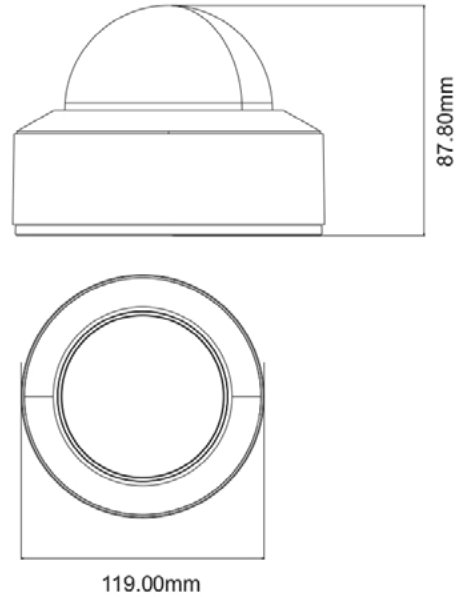
FUNCTIONS

Function Control	OSD (COC Control)
Day & Night	ICR
WDR	Yes (120dB)
3D NR	Yes
Global Exposure	No
Central Exposure	No
AGC	Yes
Auto White Balance	Yes
BLC	Yes
LSC	Yes
HLC	Yes
Freeze	Yes
Mirror	Yes
Defog	No
Sharpness	Yes
Smart IR	Yes
Motion Detection	Yes
Privacy Mask	Yes
Defect Correction	Auto
Language	16 languages
Angle Adjustment	Pan: 0°-355°; Tilt: 0°-67°; Rotation: 0°-355°

OTHER

Power Supply	DC12V (± 15%)
Power Consumption	IR OFF : < 1.5W; IR ON : < 4.5W
Working Environment	- 30 °C ~ 50 °C, 10 % ~ 90 % (relative humidity)
Dimensions	4.7" x 3.5" (119 x 87.8 mm)
Weight (net)	Approx. 1.28 lbs (0.58KG)

DIMENSIONS



BRACKETS



Junction Box for Fixed Dome Cameras