



4.0 Megapixel

Alibi Cloud VS 4MP Starlight Fixed Turret IP Camera

KEY FEATURES

- + 4MP resolution IP turret camera
- + 2.8mm fixed lens
- + 100 feet Smart IR range
- + 94 degrees Field of View
- + Built-in 1 channel mic
- + 1 audio out, 1/1 alarm in/out
- + True Wide Dynamic Range (WDR)
- + 3D Digital Noise Reduction (DNR)
- + Micro SD slot - up to 256GB
- + IP66 weatherproof rating
- + Starlight chipset (.05 lux) for color in low light
- + NDA A compliant

This video security camera with Starlight technology delivers crisp video day or night. The camera comes cloud-enabled to be used as part of the Alibi Cloud VS solution.

This product has been specifically designed and manufactured to comply with the latest technical requirements specified under NDA A regulations.

Multi-megapixel resolution - Get more detail from your video camera. This camera captures high-resolution video footage that delivers crisp, precise detail and clarity for your video security needs.

Full Frame Illumination with Smart IR Smart full-frame illumination technology offers several advantages over standard IR for flawless night vision, including:

Innovative Day/Night Scene Detection - includes a hardware sensor for smart software imaging that detects surveillance scene illumination. Designed to be water and dust-proof, this allows you to avoid unexpected costs of hardware failure.

3D Digital Noise Reduction (DNR) effectively filters noise to produce a crisper, clear video stream.

Specifications

CAMERAS

Image Sensor	1/2.8" Progressive Scan CMOS
Effective Pixels	2592(H)×1520(V)
Electronic Shutter	Auto/Manual, 1/5 - 1/20,000s
Min. illumination	Color: 0.05 Lux @ (F1.2, AGC ON) ,B/W: 0 Lux @ (IR LED ON)"
S/N Ratio	55dB
Day/Night	Auto(ICR)
Wide Dynamic Range	WDR
IR Range	Up to 30 m (98.4 ft)
IR On/Off Control	Auto/Manual
Pan/Tilt/Rotation Range	Pan: 0° - 360°, Tilt: 0° - 90°, Rotation: 0° - 360°

LENS

Lens Type	Fixed focus
Iris	Fixed Iris
Focal Length	2.8 mm (4 mm optional)
F Number	F2.0
Angle of View	H: 93.6°, V: 53.2°

VIDEO

Max. Resolution	4MP (2592×1520)
Streaming Capability	3 Streams
Stream/Frame Rate	Stream1: 2592×1520, 2560×1440, 2304×1296, 1920×1080, 1280×720 @ 25/30fps Stream2: D1, VGA, 640×360, CIF, QVGA @ 25/30fps Stream3: VGA, CIF, QVGA @ 25/30fps
Bit Rate Control	CBR/VBR
Bit Rate	Stream1: 100kbps-16Mbps Stream2: 10kbps-6Mbps Stream3: 10kbps-3Mbps
Image Enhancement	HLC / BLC / Anti-shake / WDR
White Balance	Auto
Gain Control	Auto/Manual
Noise Reduction	2D/3D DNR
Smart IR	Support
Mirror	Support
Region of Interest	Off/On (8 Zone, Rectangle)
Motion Detection	Support
Privacy Masking	Support



Specifications

AUDIO

Compression	G.711, RAW_PCM
Bit Rate	8kbps, 16kps, 64kbps

SMART FUNCTION

Multi-Object	Detection Supports face, human, vehicle detection and capture
Smart Events	Intrusion, Single line crossing, Double line crossing, Loitering, Wrong way, People counting Support alarm triggering by specified target types (human and vehicle)

NETWORK

Protocols	IPv4/IPv6, 802.1x, HTTP, HTTPS, TCP/IP, UDP/IP, RTSP, DHCP, NTP, RTCP/RTP, PPPoE, SMTP, DNS, UPnP, FTP, ARP, SNMP, TLS/SSL
Interoperability	ONVIF, SDK, CGI
Streaming Method	Unicast
Max. User Access	10 Users
Web Viewer	<IE11, Chrome, Firefox, Microsoft Edge
Management Software	Alibi Cloud VS

INTERFACE

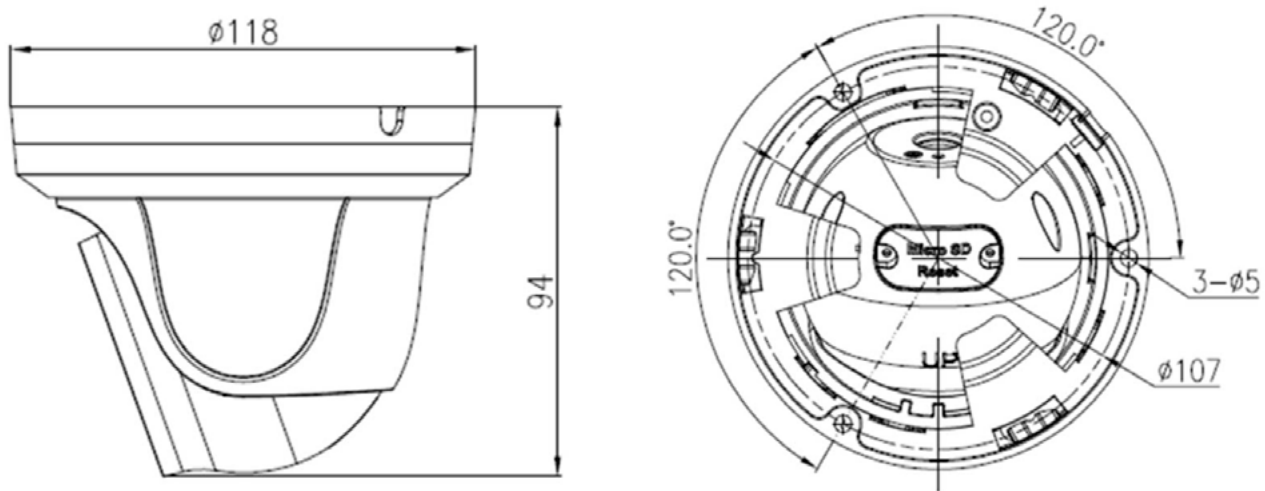
Ethernet	1 Ethernet (10/100 Base-T) RJ-45 Connector
Audio	1ch Output, Built-in 1ch Mic
Alarm	1ch Input, 1ch Output
Reset Button	Support
Storage	Built-in Micro SD slot, up to 256G

ELECTRICAL

Power Supply	DC12V/POE (IEEE 802.3af)
Power Consumption	Max 6 W
Operating Temperature	-40°C - 55°C (-40°F - 131°F)
Operating Humidity	Less than 90% RH
Ingress Protection	IP66
Certifications	CE/FCC
Casing	Metal
Dimensions	118 × 103mm (4.65" × 4.06")
Net Weight	0.54 kg (1.19 lb)



Dimensions



Compatible Brackets



Corner Mount for All Junction Box and Wall Mounts



Pole Mount for All Junction Box and Wall Mount



Turret Flange Mount



Turret Mounting Flange and Wall Bracket with Back Box

Alibi Cloud VS is a cost-effective video surveillance solution that allows you to stream and retain video surveillance footage in an ultra-secure cloud environment. Powered by Eagle Eye Networks, a global leader in cloud video surveillance, Alibi Cloud VS is engineered to deliver cutting-edge reliability, scalability, and cyber-security.

Use the Alibi Cloud VS mobile application to view real-time videos, download footage or manage your solution. Ultra-secure, reliable and scalable - Alibi Cloud VS helps you protect your property with the latest cloud innovations.

The Alibi Cloud VS management dashboard is also available via web portal - no application needed to view and manage your camera to cloud solution on your computer or tablet.