



VIGILANT PERFORMANCE SERIES



ALIBI VIGILANT PERFORMANCE SERIES 5MP ILLUMINITE STARLIGHT 4X IP VARIFOCAL MINI-PTZ CAMERA WITH ACTIVE DETERRENCE

Key Specifications:

- + 5MP IP Mini-PTZ Camera with 4x optical zoom
- + 2.8-12 mm motorized varifocal zoom lens
- + 30.6 - 104.1 degrees field of view
- + 164' Smart IR Distance
- + Starlight chipset (0.003 lux) for color in low light
- + Detects up to 207 ft. @ 2.8 mm; 886 ft. @ 12 mm
- + Built-in Mic, Speaker and Alarm Light
- + MicroSD card slot - up to 256GB
- + 120dB True WDR
- + ANR Network Storage
- + IP66 weatherproof rating
- + NDA Compliant

The Alibi Vigilant Performance Series 5MP Mini-PTZ security camera delivers high-resolution and has been specifically designed and manufactured to comply with the latest technical requirements specified under NDA regulations.

This security camera delivers crisp video day or night. This high-resolution dome camera offers several viewing-angle options, Starlight technology, and extreme long-range night vision at 656 feet.

- + **Small Size, Big Performance** - the compact design of this mini-PTZ makes it easier to install in a variety of situations while still providing high-resolution video capture with flexible FOV options.
- + **Capture Color Video at Night** - Starlight technology chipset uses ambient light sources to capture color video in extreme low light conditions. In the darkness, you can rely on the camera's full-frame illumination technology to see clear, sharp images in the dark.
- + **3D Digital Noise Reduction (DNR)** - Get exceptional video image quality with less noise. 3D Digital Noise Reduction (3D-DNR). 3D-DNR incorporates frame-to-frame noise reduction with spatial noise reduction to produce clear video images with less noise in low light conditions.
- + **IP66 weatherproof housing** - delivering long-term durability even among extreme weather conditions such as rain, snow, and ice and has a wide temperature range of -40 degrees to 149 degrees Fahrenheit.



PREMIER
SURVEILLANCE

Premier Surveillance

432-239-4406

<https://www.premiersurveillancetx.com/>

SPECIFICATIONS

CAMERA

Sensor	1/2.7" progressive scan, 5.0 megapixel, CMOS
Lens	2.8-12mm AF automatic focusing and motorized zoom lens
Angle of View (H)	30.6°-104.1°
Angle of View (V)	17.4°-54.9°
Angle of View (O)	34.4°-108.3°
Shutter	Auto/Manual, shutter time: 1 s - 1/100000 s
Minimum Illumination	Colour:0.003 lux (F1.6,AGC ON) 0 lux with IR
Day/Night	IR-cut filter with auto switch (ICR)
Digital noise reduction	2D/3D DNR
S/N	>52 dB
IR Range	UP to 50m (164ft)
Wavelength	850nm
IR On/Off Control	Auto/Manual
Warm Light Range	UP to 10m (33ft)
WDR	120dB

DORI

Lens	2.8mm	12mm
Detect(m)	63.0	270.0
Observe(m)	25.2	108.0
Recognize(m)	12.6	54.0
Identify(m)	6.3	27.0

VIDEO

Video Compression	Ultra 265,H.265, H.264, MJPEG
H.264 code profile	Baseline profile, Main Profile
Frame Rate	Main Stream: 5MP (2880*1620), Max 30fps; 4MP (2560*1440), Max 25fps;3MP (2304*1296), Max 25fps; 2MP (1920*1080), Max 30fps; Sub Stream: 720P (1280*720), Max 30fps; D1 (720*576), Max 30fps; 640*360, Max 30fps; 2CIF (704*288), Max 30fps; CIF (352*288), Max 30fps; Third Stream: D1 (720*576), Max 30fps; 640*360, Max 30fps; 2CIF (704*288), Max 30fps; CIF (352*288), Max 30fps;
Video Bit Rate	128 Kbps-16 Mbps
OSD	Up to 8 OSDs
Privacy Mask	Up to 8 areas
ROI	Up to 8 areas
Motion Detection	Up to 4 areas

IMAGE

White Balance	Auto/Outdoor/Fine Tune/Sodium Lamp/Locked/Auto2
Digital noise reduction	2D/3D DNR
Smart IR	Support
Flip	Normal/Vertical/Horizontal/180°/90° Clockwise/90° Anti-clockwise
Dewarping	N/A
HLC	Supported
BLC	Supported

INTELLIGENT

Smart intrusion Prevention	Cross Line, Intrusion, Enter Area, Leave Area detection;Motion detection ;
----------------------------	--

EVENTS

Auto Tracking	Support, human body only
Basic Detection	Motion detection, Tampering alarm, Audio Detection
General Function	Watermark, IP Address Filtering, Tampering Alarm, Access Policy, ARP Protection, RTSP Authentication, User Authentication

AUDIO

Audio Compression	G.711U, G.711A
Two-way Audio	Supported
Suppression	Supported
Sampling Rate	8 KHZ

STORAGE

Edge Storage	Micro SD, up to 256 GB
Network Storage	ANR, NAS(NFS)

SPECIFICATIONS

NETWORK

Protocols	IPv4, IGMP, ICMP, ARP, TCP, UDP, DHCP, PPPoE, RTP, RTSP, RTCP, DNS, DDNS, NTP, FTP, UPnP, HTTP, HTTPS, SMTP, 802.1x, SNMP, SSL
Compatible Integration	ONVIF(Profile S, Profile G, Profile T), API
Client	Alibi Vigilant CMS Alibi Vigilant Toolbox Alibi Vigilant Mobile
Web Browser	Plug-in required live view: IE9+, Chrome 41 and below, Firefox 52 and below Plug-in free live view: Chrome 57.0+, Firefox 58.0+, Edge 16+, Safari 11+

PAN & TILT

Pan Range	0°~345°
Pan Speed	0.1°/s ~50°/s Preset speed: 50°/s
Tilt Range	-10~110°
Tilt Speed	0.1° ~40°/s Preset speed: 40°/s
Number of Presets	256
Patrol	Preset patrol, Route patrol

INTERFACE

Network	1 RJ45 10M/100M Base-TX Ethernet
Built-in Mic	Supported
Built-in Speaker	Supported
Alarm Light	Supported

CERTIFICATIONS

Certifications	CE: EN 60950-1 UL: UL60950-1 FCC: FCC Part 15
----------------	---

GENERAL

Power	DC 12V±25%, PoE (IEEE802.3 at) Power consumption: Max 18 W
Dimensions (Ø x H)	133mm*269.4mm (5.2"x 10.6")
Net Weight	0.87 kg (1.92lb)
Gross Weight	1.13 kg (2.49lb)
Material	Metal + Plastic
Working Environment	-20°C ~ 60°C (-4°F to 140°F), Humidity:≤95% RH(non-condensing)
Storage Environment	-20°C ~ 60°C (-4°F to 140°F), Humidity:≤95% RH(non-condensing)
Surge Protection	4KV
Ingress Protection	IP66
Reset Button	Supported



COMPATIBLE BRACKETS



Junction Box
Waterproof Joint



Junction Box for
Bullet Cameras



Junction Box for
Bullet Cameras



Bullet & Dome Corner Mounting
Bracket

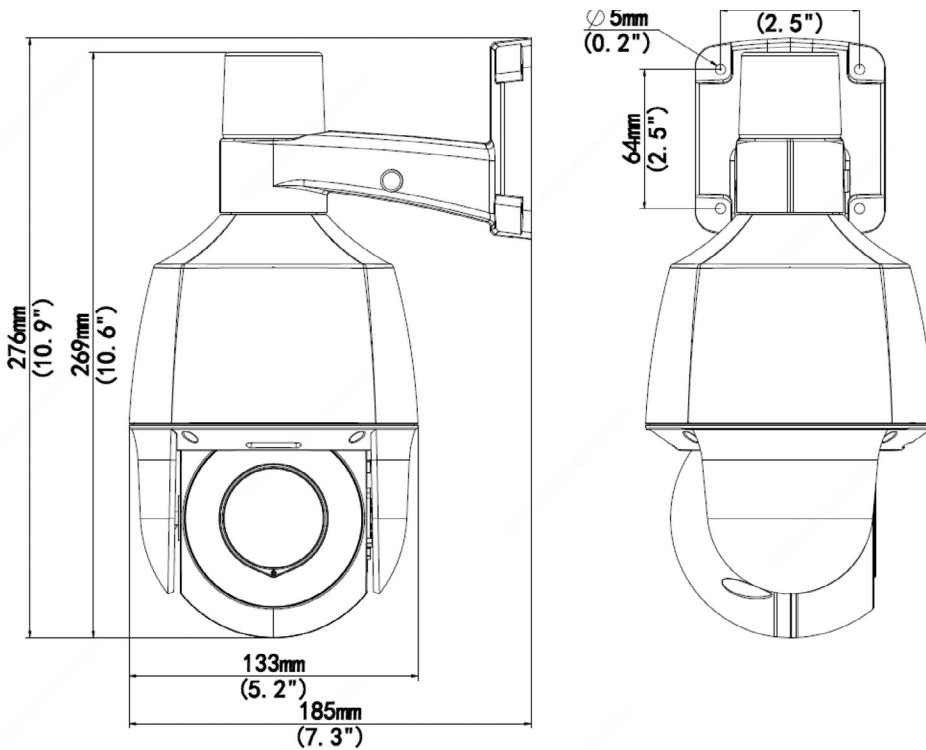


Pole Mount Adapter for Bullet
Cameras



Pole Mount Adapter for Bullet
Cameras

DIMENSIONS



**PREMIER
SURVEILLANCE**

Premier Surveillance

432-239-4406

<https://www.premiersurveillancetx.com/>