



VIGILANT FLEX SERIES



Meets federal government technical requirements

ALIBI VIGILANT PERFORMANCE 4MP ILLUMINITE STARLIGHT SMARTSENSE FIXED BULLET IP CAMERA WITH AUDIO/ALARM

Key Specifications:

- + 4MP IP Bullet Camera
- + 4mm fixed lens with 103 degree field of view
- + Starlight chipset (.0005 lux) for color in low light
- + 98 feet Smart IR Distance
- + Built-in white light LEDs for color video 24/7
- + Powerful human and vehicle detection analytics
- + 1/1 Alarm in/out; 1/1 audio in/out
- + 120dB True Wide Dynamic Range (WDR)
- + IK10 Vandal resistant housing design
- + IP67 protection for all weather conditions
- + MicroSD up to 256GB
- + NDA A Compliant
- + One-click Cloud firmware updating

Smart Analytics Supported:

- + Motion Detection
- + Tampering
- + Audio Detection
- + Intrusion Detection
- + Cross Line Detection
- + Enter Area
- + Leave Area
- + Face Detection
- + People Counting (People Flow Counting & Crowd Density Monitoring)

The Alibi Vigilant Performance Series security camera delivers crisp video day or night with a Starlight chipset and built-in white light LEDs that help you capture color video 24/7.

- + **Multi-megapixel resolution** - Get more detail from your video camera. This camera captures multi-megapixel high-resolution video footage that delivers crisp, precise detail and clarity for your video security needs.
- + **SmartSense technology** - utilizes AI deep learning developed data algorithms to identify human and vehicular targets with extreme accuracy and reduce false alarms.
- + **IllumiNite Technology featuring Starlight chipsets** - features an HD progressive scan CMOS sensor, capturing clear and vivid color images day or night - even in extremely dark environments.
- + **3D Digital Noise Reduction (DNR)** effectively filters noise to produce a crisper, clear video stream.
- + **IP67 weatherproof housing** - this turret camera delivers long-term durability even among extreme weather conditions such as rain, snow, and ice and has a wide temperature range of -22 degrees to 140 degrees Fahrenheit.
- + **True Day/Night feature** - allowing you to capture better images in any lighting conditions.
- + **Full Frame Illumination with Smart IR** - Smart full-frame illumination technology offers several advantages over standard IR for flawless night vision, including: Clearer, brighter images in low light and at night; Reduces overexposure of the IR LEDs at the center of the image; Increases illuminant efficiency up to 30%; Produces LED light in rectangle form to better fit screen size; Captures images up to 98 feet in the dark without washing out the subject at closer ranges; Reduces video noise for a clearer nighttime picture and reduces bandwidth consumption and video storage requirements
- + **Innovative Day/Night Scene Detection** - includes a hardware sensor for smart software imaging that detects surveillance scene illumination. Designed to be water and dust-proof, this allows you to avoid unexpected costs of hardware failure.
- + **HTML5 Plugin Free** - use on almost any Browser for support: Plug-in required live view: IE9+, Chrome 41 and below, Firefox 52 and below; Plug-in free live view: Chrome 57.0+, Firefox 58.0+, Edge 16+, Safari 11+
- + **Ultra H.265 Compression** - reduce bandwidth and storage requirements. With Ultra H.265 compression technology, you can store more information using less hard drive space. Ultra H.265 also helps you minimize bandwidth requirements for high-resolution video and makes the remote viewing less demanding on the recorder.
- + **Intuitive interface** - everything you need to manage your system at your fingertips. With an intuitive interface and access to the free Vigilant Mobile App and Vigilant CMS, system management has never been simpler.



PREMIER SURVEILLANCE

Premier Surveillance

432-239-4406

<https://www.premiersurveillancetx.com/>

SPECIFICATIONS

CAMERA

Sensor	1/1.8", 4.0 megapixel, progressive scan, CMOS
Minimum Illumination	Colour: 0.0005Lux (F1.0, AGC ON)
Shutter	Auto/Manual, 1 - 1/100000s
Adjustment angle	Pan: 0° - 360° Tilt: 0° - 90° Rotate: 0° - 360°
WDR	120dB
S/N	>56dB

LENS

Lens	4.0mm@F1.0
Angle of View (H)	103.0°
Angle of View (V)	69.2°
Angle of View (O)	134.6°

DORI

DORI Distance	Lens (mm): 4.0 Detect (m): 62.1 Observe (m): 24.8 Recognize (m): 12.4 Identify (m): 6.2
---------------	---

ILLUMINATOR

LED Distance	Up to 30m (98ft)
LEDs Number	2
LED On/Off Control	Auto/Manual

VIDEO

Video Compression	Ultra265, H.265, H.264, MJPEG
H.264 code profile	Baseline profile, Main profile, High profile
Frame Rate	Main Stream: 4MP (2688*1520), Max 30fps; 4MP (2560*1440), Max 30fps; 3MP (2304*1296), Max 30fps; 1080P (1920*1080), Max 30fps; Sub Stream: 720P (1280*720), Max 30fps; D1 (720*576), Max 30fps; 640*360, Max 30fps; 2CIF(704*288), Max 30fps; CIF(352*288), Max 30fps; Third Stream: D1 (720*576), Max 30fps; 640*360, Max 30fps; 2CIF(704*288), Max 30fps; CIF(352*288), Max 30fps;
Video Bit Rate	128 Kbps-16 Mbps
U-code	Support
ROI	Up to 8 areas
Video Stream	Triple streams
OSD	Up to 8 OSDs
Privacy Mask	Up to 4 areas

IMAGE

White Balance	Auto/Outdoor/Fine Tune/Sodium Lamp/Locked/Auto2
Image Setting	Image rotation, brightness, saturation, contrast, sharpness, gain adjustable by web browser
Digital noise reduction	2D/3D DNR
Smart Illumination	Support
Flip	Normal/Vertical/Horizontal/180°/90° Clockwise/90°Anti-clockwise
Dewarping	N\A
HLC	Support
BLC	Support
Defog	Digital Defog

AUDIO

Audio Compression	G.711
Audio Bitrate	64 Kbps
Two-way audio	Supported
Suppression	Supported
Sampling Rate	8KHZ

STORAGE

Edge Storage	Micro SD, up to 256GB
Network Storage	ANR, NAS(NFS)

NETWORK

Protocols	IPv4, IGMP, ICMP, ARP, TCP, UDP, DHCP, PPPoE, RTP, RTSP, RTCP, DNS, DDNS, NTP, FTP, UPnP, HTTP, HTTPS, SMTP, 802.1x, SNMP, QoS, RTMP,SSL/TLS, SSH
Compatible Integration	ONVIF (Profile S, Profile G, Profile T), API,SDK
User/Host	Up to 32 users. 2 user levels: administrator and common user
Security	Password protection, Strong password, HTTPS encryption, Export operation logs, Basic and digest authentication for RTSP, Digest authentication for HTTP, TLS 1.2, WSSE and digest authentication for ONVIF
Client	Alibi Vigilant CMS Alibi Vigilant Toolbox Alibi Vigilant Mobile
Web Browser	Plug-in required live view: IE9+, Chrome 41 and below, Firefox 52 and below Plug-in free live view: Chrome 57.0+, Firefox 58.0+, Edge 16+

SPECIFICATIONS

INTERFACE

Audio I/O	Input: impedance 35kΩ; amplitude 2V [p-p] Output: impedance 600Ω; amplitude 2V [p-p]
Alarm I/O	1/1
RS485	N/A
Built-in Mic	N/A
Built-in Speaker	N/A
WIFI	N/A
Network	1 RJ45 10M/100M Base-TX Ethernet
Video Output	N/A

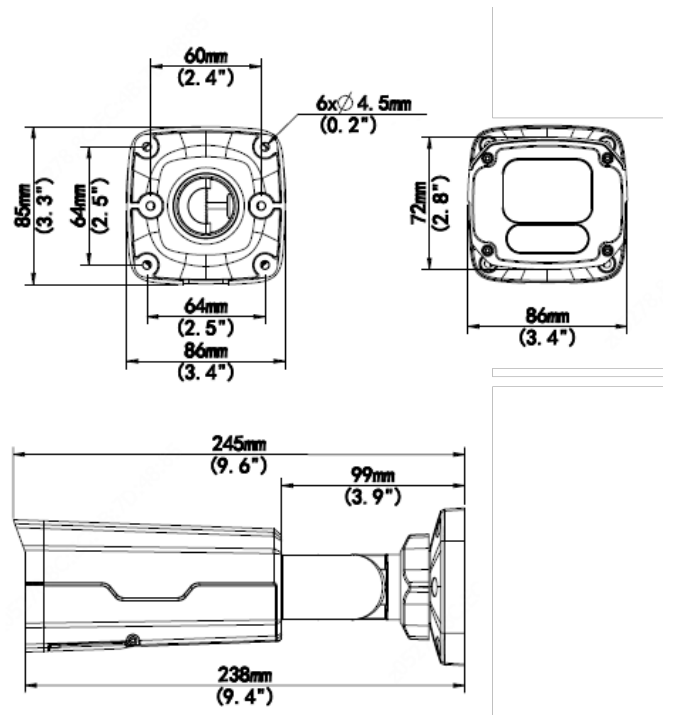
CERTIFICATIONS

EMC	FCC CFR 47 Part 15 EN 55032:2015 EN 55024:2010 EN 61000-3-2:2014 EN 61000-3-3-2013
Safety	IEC 62368-1 EN 62368-1 UL 62368-1
Environment	CE-ROHS (2011/65/ EU;(EU)2015/863); WEEE (2012/19/ EU); REACH (Regulation (EC) No 1907/2006)

GENERAL

Power	DC 12V±25%, PoE (IEEE 802.3af) Power consumption: Max 9.0W
Power Interface	Ø 5.5mm coaxial power plug
Dimensions (L × W × H)	245× 86 × 85mm (9.6" × 3.4" × 3.3")
Weight	0.87kg (1.92lb)
Material	Metal
Working Environment	-30°C - 60°C (-22°F - 140°F), Humidity: ≤95% RH (non- condensing)
Storage Environment	-30°C - 60°C (-22°F - 140°F), Humidity: ≤95% RH (non- condensing)
surge protection	4KV
Reset Button	Supported
Protection	Ingression protection: IP67 Vandal resistant: IK10

DIMENSIONS



COMPATIBLE BRACKETS

