



VIGILANT PERFORMANCE SERIES



ALIBI VIGILANT FLEX SERIES 2MP ILLUMINITE 98FT 4-IN-1 PAN-TILT DOME SECURITY CAMERA

Key Specifications:

- + 2MP resolution
- + .005 Lux Rating
- + TVI/AHD/CVI/CVBS
- + Built-in Microphone for high quality audio over coax
- + 1/2.9" CMOS Sensor
- + 4.0mm lens
- + 98 Feet - IllumiNite Distance
- + DWDR (Digital Wide Dynamic Range)
- + IP66 rating - withstands temps from -22 degrees to 140 degrees Fahrenheit
- + NDA Compliant

As part of the Alibi Vigilant Series, this 2MP 4-in-1 Pan-Tilt Dome Security Camera delivers crisp video day or night, providing HD-TVI/AHD/CVI/CVBS output for compatibility. Connect to any analog cameras on your network with one easy solution.

Protecting your home or business has never been easier – or more convenient. The 2MP HD-TVI dome security camera offers an impressive 98 feet, perfect for after-hours surveillance or anywhere you need to capture bright footage in dark conditions to protect your business. Whether it's 12pm or 12am, this versatile indoor/outdoor camera provides clear, crisp surveillance.

A 4.0mm wide-angle lens and Up the Coax (UTC) technology enables you to control the camera's onscreen display (OSD) from your web browser and the Alibi CMS or smartphone app.

- + **Multi-Megapixel Resolution Video** – 2MP resolution allows you to capture a high level of clarity and detail for most applications
- + **IP66 weatherproof housing** –this camera can handle long-term durability even among extreme weather conditions such as rain, snow, and ice.
- + **IllumiNite Technology featuring Starlight chipsets** – features an HD progressive scan CMOS sensor, capturing clear and vivid color images day or night – even in extremely dark environments.
- + **Multi-megapixel resolution** – Get more detail from your video camera. This camera captures high-resolution video footage that delivers crisp, precise detail and clarity for your video security needs.
- + **Innovative Day/Night Scene Detection** – includes a hardware sensor for smart software imaging that detects surveillance scene illumination. Designed to be water and dust-proof, this allows you to avoid unexpected costs of hardware failure.
- + **Intuitive interface** – everything you need to manage your system at your fingertips. With an intuitive interface and access to the free Alibi CMS and mobile app, system management has never been simpler.



Premier Surveillance

432-239-4406

<https://www.premiersurveillancetx.com/>

SPECIFICATIONS

SENSOR

Pixel	2MP
Size	1/2.9"
Minimum illumination	0.005 lux (F1.6, AGC ON) 0 lux (white light on)

LENS

Lens	4.0mm 1.68mm@F2.0
Lens mount	M12
Angle of view	H: 83.8° V: 42.7° D: 100.1°

ILLUMINATOR

Illuminator	Eight white-light illuminators
Illumination distance	30m
Lifetime	≥20,000 hours

VIDEO

Resolution	1080P: 1920(H)×1080(V) 720P: 1280(H) ×720(V)
Frame rate	TVI/AHD/CVI: 1080P@25fps (default), 1080P@30fps; 720P@30fps, 720P@25fps CVBS: PAL, NTSC
Shutter time	PAL: 1/25s-1/50000s NTSC: 1/30s-1/50000s

IMAGE

Exposure mode	Four modes: Global (default), BLC, HLC, DWDR
Day/Night	24/7 color images
Digital noise reduction	2D/3D
White balance	Two modes: Auto (default), Manual
WDR	DWDR
Flip	Supports 180° horizontal flip, 180° vertical flip
Defog	Digital Defog

PAN & TILT

Pan range/speed	Pan range: 0° to 345° Pan speed: 1° to 40°/s
Tilt range/speed	Tilt range: 0° to 90° Tilt speed: 1° to 30°/s
Presets	32
Control mode	Coaxial control, RS485 control

AUDIO

Microphone	Built-in Mic
Camera audio	TVI: 1080P@25fps, 1080P@30fps CVI: 1080P@25fps, 1080P@30fps

INTERFACE

Power	5.5mm power interface
Video output	BNC, supports TVI/AHD/CVI/CVBS
RS485	1* RS485, supports 9600bps, 4800bps, 2400bps, 1200bps

OPERATING ENVIRONMENT

Temperature	-30°C to 60°C (-22°F to 140°F)
Humidity	≤95% (RH, non-condensing)
Surge protection	4kV for power and video output interfaces, 6kV for RS485 interface
Ingress protection	IP66

GENERAL

Power	DC 12V (±25%), with reverse polarity protection. Max 8.5W
Mount	Supplied bracket for wall or pendent mount; optional bracket and junction box (sold separately) for pole mount and corner mount
Dimensions	Ø118mm*190mm (diameter*height)
Material	Plastic
Weight	477g (1.05lb)
Certification	CB, CE, FCC



COMPATIBLE BRACKETS



Junction Box
Waterproof Joint



Junction Box For Mini
Bullet Cameras



Bullet & Dome Corner
Mounting Bracket

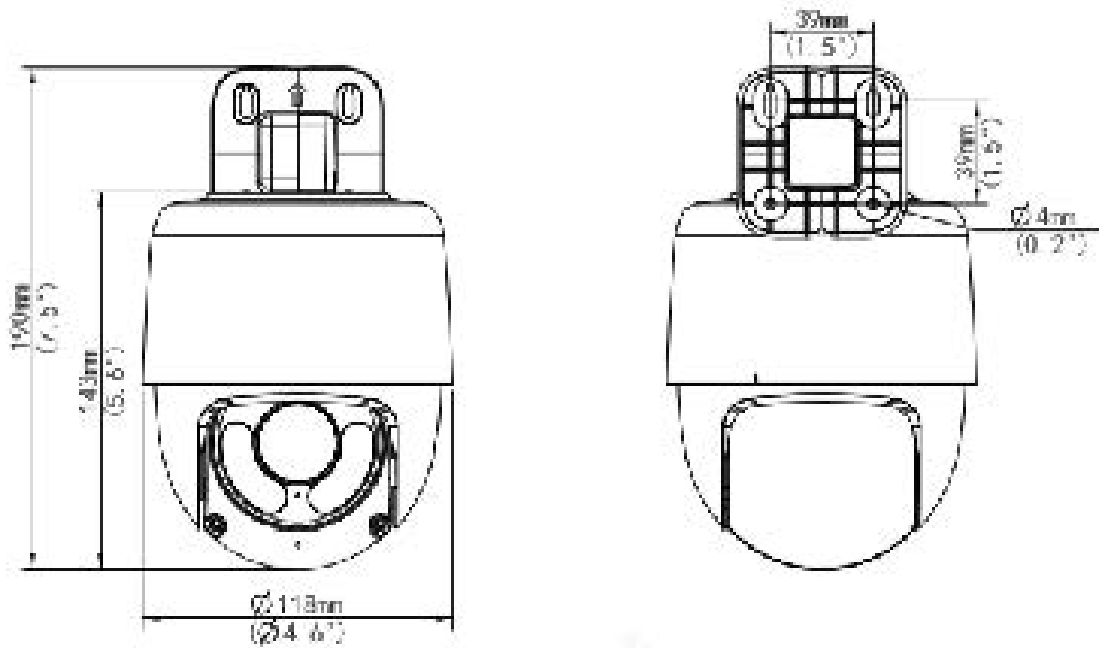


Pole Mount Adapter for
Bullet Cameras



Pole Mount Adapter for
Bullet Cameras

DIMENSIONS



**PREMIER
SURVEILLANCE**

Premier Surveillance

432-239-4406

<https://www.premiersurveillancetx.com/>