



VIGILANT PERFORMANCE SERIES



ALIBI VIGILANT FLEX SERIES 4MP STARLIGHT 131FT 4-IN-1 FIXED BULLET SECURITY CAMERA

Key Specifications:

- + 4MP resolution
- + .005 Lux Rating
- + TVI/AHD/CVI/CVBS
- + Built-in Microphone for high quality audio over coax
- + 1/3" CMOS Sensor
- + 2.8mm lens
- + Smart IR, up to 131 ft
- + DWDR (Digital Wide Dynamic Range)
- + IP67 rating - withstands temps from -22 degrees to 140 degrees Fahrenheit
- + NDAA Compliant

As part of the Alibi Vigilant Series, this 4MP 4-in-1 Fixed Bullet Security Camera delivers crisp video day or night, providing HD-TVI/AHD/CVI/CVBS output for compatibility. Connect to any analog cameras on your network with one easy solution.

Protecting your home or business has never been easier – or more convenient. The 4MP HD-TVI bullet security camera offers an impressive 131 feet IR – perfect for after-hours surveillance or anywhere you need to capture bright footage in dark conditions to protect your business. Whether it's 12pm or 12am, this versatile indoor/outdoor camera provides clear, crisp surveillance.

A 2.8mm wide-angle lens and Up the Coax (UTC) technology enables you to control the camera's onscreen display (OSD) from your web browser and the Alibi CMS or smartphone app.

- + **Multi-Megapixel Resolution Video** – 4MP resolution allows you to capture a high level of clarity and detail for most applications
- + **IP67 weatherproof housing** –this camera can handle long-term durability even among extreme weather conditions such as rain, snow, and ice.
- + **Multi-megapixel resolution** – Get more detail from your video camera. This camera captures high-resolution video footage that delivers crisp, precise detail and clarity for your video security needs.
- + **Full Frame Illumination with Smart IR** Smart full-frame illumination technology offers several advantages over standard IR for flawless night vision.
- + **Innovative Day/Night Scene Detection** – includes a hardware sensor for smart software imaging that detects surveillance scene illumination. Designed to be water and dust-proof, this allows you to avoid unexpected costs of hardware failure.
- + **Intuitive interface** – everything you need to manage your system at your fingertips. With an intuitive interface and access to the free Alibi CMS and mobile app, system management has never been simpler.



Premier Surveillance

432-239-4406

<https://www.premiersurveillancetx.com/>

SPECIFICATIONS

SENSOR

Pixel	4MP
Size	1/3"
Minimum illumination	0.005 lux (F1.6, AGC ON) 0 lux (IR ON)

LENS

Lens	4.0mm
Lens mount	M12
Angle of view	H: 81.1° V: 41.0° D: 94.4°

ILLUMINATOR

Illuminator	Two IR illuminators
Illumination distance	40m
Lifetime	≥60,000 hours

VIDEO

Resolution	4MP: 2560(H) × 1440(V) 1080P: 1920(H)×1080(V)
Frame rate	TVI/AHD/CVI: 4MP@25fps (default), 4MP@30fps,1080P@25fps, 1080P@30fps CVBS: PAL, NTSC
Shutter time	PAL: 1/25s-1/50000s NTSC: 1/30s-1/50000s

IMAGE

Exposure mode	Four modes: Global (default), BLC, HLC, DWDR
Day/Night	Three modes: Auto (default), Day, Night
Digital noise reduction	2D
White balance	Two modes: Auto (default), Manual
WDR	DWDR
Smart IR	Support
Flip	Supports 180° horizontal flip, 180° vertical flip

AUDIO

Microphone	Built-in Mic
Camera audio	TVI: 4MP@25fps, 4MP@30fps,1080P@25fps, 1080P@30fps CVI: 4MP@25fps, 4MP@30fps

INTERFACE

Power	5.5mm power interface
Video output	BNC, supports TVI/AHD/CVI/CVBS

OPERATING ENVIRONMENT

Temperature	-30°C to 60°C (-22°F to 140°F)
Humidity	≤95% (RH, non-condensing)
Surge protection	4kV
Ingress protection	IP67

GENERAL

Power	DC 12V (±25%), with reverse polarity protection, Max 3.5W
Mount	3D bracket supplied, surface mount (default), optional backbox, pole mount bracket
Dimensions	154mm*66mm*66mm (L*W*H)
Material	Metal+Plastic
Weight	240g (0.53lb)
Certification	CE, FCC, UL



COMPATIBLE BRACKETS



Junction Box
Waterproof Joint



Junction Box (with
Circular Base) for Bullet
Cameras



Junction Box for
Bullet Cameras

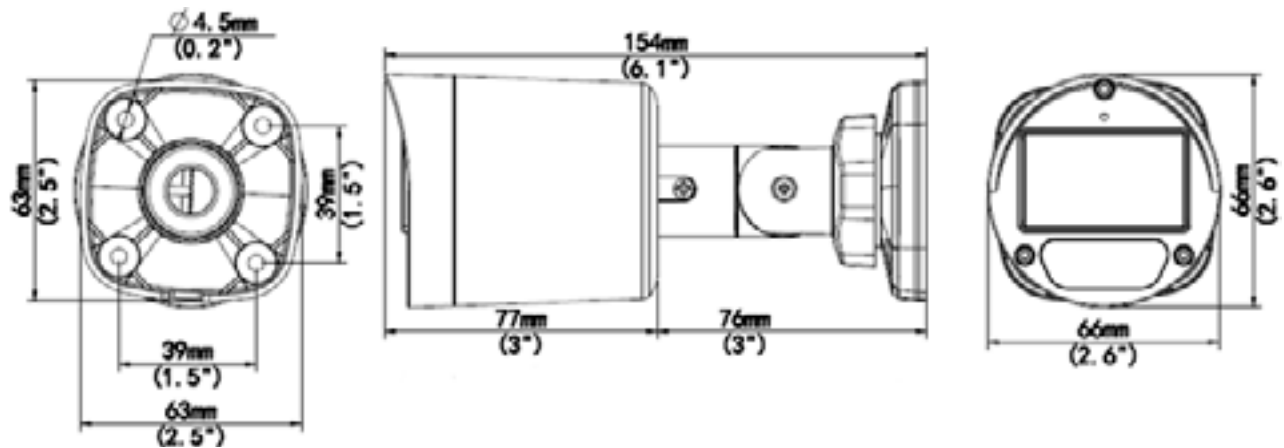


Bullet & Dome Corner
Mounting Bracket



Pole Mount Adapter for
Bullet Cameras

DIMENSIONS



**PREMIER
SURVEILLANCE**

Premier Surveillance

432-239-4406

<https://www.premiersurveillancetx.com/>