



4.0 Megapixel

Alibi Cloud VS 4MP Starlight Varifocal IP Dome Camera

KEY FEATURES

- + 4MP resolution IP dome camera
- + 2.7-13.5mm motorized varifocal lens
- + Starlight chipset (.05 lux) for color in low light
- + 100 feet Smart IR range
- + 98.5 ~ 27.8 degrees Field of View
- + Built-in micro SD slot - up to 256GB
- + True Wide Dynamic Range (WDR)
- + 3D Digital Noise Reduction (DNR)
- + Audio & Alarm i/o
- + IP66 Outdoor Rating
- + IK10 Vandal resistant rating
- + NDA A Compliant

The 4MP motorized Auto-Focus varifocal dome camera is built with a Starlight chipset to delivery crisp video day or night. This camera comes cloud-enabled to be used as part of the Alibi Cloud VS solution.

This product has been specifically designed and manufactured to comply with the latest technical requirements specified under NDA A regulations.

This security camera provides superior night vision infrared performance. It is built with a Starlight technology chipset to use ambient lights sources to produce color video at night. The camera features long-term durability against extreme weather conditions such as rain, snow, and ice and features a vandal resistant housing.

Multi-megapixel resolution - Get more detail from your video camera. This camera captures high-resolution video footage that delivers crisp, precise detail and clarity for your video security needs.

Full Frame Illumination with Smart IR Smart full-frame illumination technology offers several advantages over standard IR for flawless night vision, including:

Innovative Day/Night Scene Detection - includes a hardware sensor for smart software imaging that detects surveillance scene illumination. Designed to be water and dust-proof, this allows you to avoid unexpected costs of hardware failure.

3D Digital Noise Reduction (DNR) effectively filters noise to produce a crisper, clear video stream.



Specifications

CAMERAS

Image Sensor	1/2.8" Progressive Scan CMOS
Effective Pixels	2592(H)×1520(V)
Electronic Shutter	Auto/Manual, 1/5 - 1/20,000s
Min. illumination	Color: 0.05 Lux @ (F1.2, AGC ON) , B/W: 0 Lux @ (IR LED ON)
S/N Ratio	55dB
Day/Night	Auto(ICR)
Wide Dynamic Range	WDR
IR Range	Up to 30 m (98.4 ft)
IR On/Off Control	Auto/Manual
Pan/Tilt/Rotation Range	Pan: 0° - 355°, Tilt: 0° - 80°, Rotation: 0° - 355°

LENS

Lens Type	Motorized focus
Iris Fixed	Iris
Focal Length	2.7 - 13.5 mm
F Number	F1.6
Angle of View H:	98.5° - 27.8°, V: 71° - 20°

VIDEO

Max. Resolution	4MP (2592×1520)
Streaming Capability	3 Streams
Stream/Frame Rate	Stream1: 2592×1520, 2560×1440, 2304×1296, 1920×1080, 1280×720 @ 25/30fps Stream2: D1, VGA, 640×360, CIF, QVGA @ 25/30fps Stream3: VGA, CIF, QVGA @ 25/30fps
Bit Rate Control	CBR/VBR
Bit Rate	Stream1: 100kbps-16Mbps Stream2: 10kbps-6Mbps Stream3: 10kbps-3Mbps
Image Enhancement	HLC / BLC / Anti-shake / WDR
White Balance	Auto
Gain Control	Auto/Manual
Noise Reduction	2D/3D DNR
Smart IR	Support
Mirror	Support
Region of Interest	Off/On (8 Zone, Rectangle)
Motion Detection	Support
Privacy Masking	Support



Specifications

AUDIO

Compression	G.711, RAW_PCM
Bit Rate	8kbps, 16kps, 64kbps

NETWORK

Protocols	IPv4/IPv6, 802.1x, HTTP, HTTPS, TCP/IP, UDP/IP, RTSP, DHCP, NTP, RTCP/RTP, PPPoE, SMTP, DNS, UPnP, FTP, ARP, SNMP, TLS/SSL
Interoperability	ONVIF, SDK, CGI
Streaming Method	Unicast
Max. User Access	10 Users
Web Viewer	<IE11, Chrome, Firefox, Microsoft Edge
Management Software	Alibi Cloud VS

INTERFACE

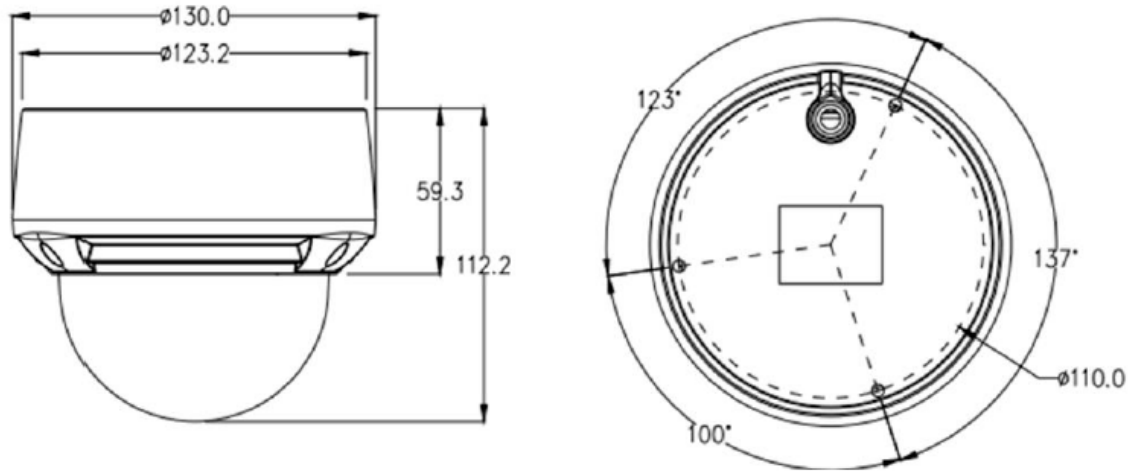
Ethernet	1 Ethernet (10/100 Base-T) RJ-45 Connector
Audio	1ch Input, 1ch Output
Alarm	1ch Input, 1ch Output
Reset Button	Support
Storage	Built-in Micro SD slot, up to 256G

ELECTRICAL

Power Supply	DC12V/POE (IEEE 802.3af)
Power Consumption	Max 8.5 W
Operating Temperature	-40°C - 55°C (-40°F - 131°F)
Operating Humidity	Less than 90% RH
Ingress Protection	IP66, IK10
Certifications	CE/FCC
Casing	Metal
Dimensions	130 × 112mm (5.12" × 4.41")
Net Weight	0.8 kg (1.76 lb)



Dimensions



Compatible Brackets



Round Back Box



Pole Mount for All Junction Box and Wall Mount



Corner Mount for All Junction Box and Wall Mounts



Wall Bracket with Back Box



Pendant Mount for Junction Box

Alibi Cloud VS is a cost-effective video surveillance solution that allows you to stream and retain video surveillance footage in an ultra-secure cloud environment. Powered by Eagle Eye Networks, a global leader in cloud video surveillance, Alibi Cloud VS is engineered to deliver cutting-edge reliability, scalability, and cyber-security.

Use the Alibi Cloud VS mobile application to view real-time videos, download footage or manage your solution. Ultra-secure, reliable and scalable - Alibi Cloud VS helps you protect your property with the latest cloud innovations.

The Alibi Cloud VS management dashboard is also available via web portal - no application needed to view and manage your camera to cloud solution on your computer or tablet.