



VIGILANT PERFORMANCE SERIES



## ALIBI VIGILANT PERFORMANCE SERIES 4MP STARLIGHT SMARTSENSE MINI-WEDGE VANDAL-RESISTANT IP FIXED DOME CAMERA

### Key Specifications:

- + 4MP IP fixed dome camera
- + 2.8mm lens with 101 degrees FOV
- + Starlight chipset (.003 lux) for color in low light conditions
- + Smart Intrusion Prevention analytics
- + 98 feet Smart IR Distance
- + Built-in microphone support
- + 1/1 audio in/out
- + Wide Dynamic Range (WDR)
- + 3D Digital Noise Reduction (DNR)
- + MicroSD card slot - up to 256GB
- + IP67 weather resistant rating
- + IK10 vandalproof rating
- + NDAA compliant

As part of the Alibi Vigilant Performance Series, this IP fixed dome camera delivers crisp video day or night and has been designed and manufactured to comply with the latest technical requirements specified under NDAA regulations.

- + **Multi-Megapixel Resolution Video** - 4MP resolution allows you to capture a high level of clarity and detail for most applications.
- + **3D Digital Noise Reduction (DNR)** effectively filters noise to produce a crisper, clear video stream.
- + **Advanced Analytics with Strobe and Audible Alarm** - SmartSense analytics deliver AI powered event detection for vehicle and human detection that can activate the built-in white light strobes and a high decibel alarm when triggered.
- + **Full Frame Illumination with Smart IR** - Smart full-frame illumination technology offers several advantages over standard IR for flawless night vision, including:
  - Clearer, brighter images in low light and at night
  - Delivers a wider illumination spread
  - Unique rectangular IR LED design produces a uniformly illuminated image across the entire screen
  - Reduces overexposure at the center of the image and eliminates hot spots
  - Eliminates blooming from lights by reducing ambient light pollution
  - Reduces video noise for a clearer nighttime picture, and reduces bandwidth consumption and video storage requirements
- + **Innovative Day/Night Scene Detection** - includes a hardware sensor for smart software imaging that detects surveillance scene illumination. Designed to be water and dust-proof, this allows you to avoid unexpected costs of hardware failure.
- + **Ultra H.265 Compression** - reduce bandwidth and storage requirements. With Ultra H.265 compression technology, you can store more information using less hard drive space. Ultra H.265 also helps you minimize bandwidth requirements for high-resolution video and makes the remote viewing less demanding on the recorder.



Precision Security Specialist  
3306070265  
<http://PSS.alibidealer.com>

# SPECIFICATIONS

## CAMERA

Sensor	1/3", 4.0 megapixel, progressive scan, CMOS
Lens	2.8mm@F1.6
Angle of View (H)	101.1°
Angle of View (V)	55.3°
Angle of View (O)	111.1°
Adjustment angle	Pan: 0° - 90° Tilt: 0° - 68° Rotate: 0° - 360°
Shutter	Auto/Manual, 1 - 1/1000000s
Minimum Illumination	Colour: 0.003Lux (F1.6, AGC ON) 0Lux with IR
Day/Night	IR-cut filter with auto switch (ICR)
S/N	>56 dB
IR Range	Up to 30m (98ft) IR range
Wavelength	850nm
IR On/Off Control	Auto/Manual
Defog	Digital Defog
WDR	120dB

## DORI

Lens (mm)	2.8
Detect (m)	63
Observe (m)	25.2
Recognize (m)	12.6
Identify (m)	6.3

## VIDEO

Video Compression	Ultra 265, H.265, H.264, MJPEG
H.264 code profile	Baseline profile, Main Profile, High Profile
Frame Rate	Main Stream: 4MP (2688*1520), Max 30fps; 4MP (2560*1440), Max 30fps; 3MP (2304*1296), Max 30fps; 2MP (1920*1080), Max 30fps; Sub Stream: 720P (1280*720), Max 30fps; D1 (720*576), Max 30fps; 640*360, Max 30fps; 2CIF(704*288), Max 30fps; CIF(352*288), Max 30fps; Third Stream: D1 (720*576), Max 30fps; 640*360, Max 30fps; 2CIF(704*288), Max 30fps; CIF(352*288), Max 30fps;
Video Bit Rate	128 Kbps-16 Mbps
9:16 Corridor Mode	Supported
OSD	Up to 8 OSDs
Privacy Mask	Up to 4 areas
ROI	Up to 8 areas
Motion Detection	Up to 4 areas

## IMAGE

White Balance	Auto/Outdoor/Fine Tune/Sodium Lamp/Locked/Auto2
Digital noise reduction	2D/3D DNR
Smart IR	Support
Flip	Normal/Vertical/Horizontal/180°/90° Clockwise/90° Anti-clockwise
Dewarping	N/A
BLC	Supported
HLC	Supported

## AUDIO

Audio Compression	G.711
Two-way audio	Supported
Suppression	Supported
Sampling Rate	8KHZ

## STORAGE

Edge Storage	Micro SD, Up to 256GB
Network Storage	ANR, NAS(NFS)

## NETWORK

Protocols	IPv4, IGMP, ICMP, ARP, TCP, UDP, DHCP, PPPoE, RTP, RTSP, RTCP, DNS, DDNS, NTP, FTP, UPnP, HTTP, HTTPS, SMTP, 802.1x, SNMP, QoS
Compatible Integration	ONVIF (Profile S, Profile G, Profile T), API
Client	Alibi Vigilant CMS Alibi Vigilant Toolbox Alibi Vigilant Mobile
Web Browser	Plug-in required live view: IE9+, Chrome 41 and below, Firefox 52 and below Plug-in free live view: Chrome 57.0+, Firefox 58.0+, Edge 16+, Safari 11+

## INTERFACE

Audio I/O	Audio cable 1 Input: impedance 35kΩ; amplitude 2V [p-p] 1 Output: impedance 600Ω; amplitude 2V [p-p]
Built-in Mic	Supported
Network	1 RJ45 10M/100M Base-TX Ethernet



# SPECIFICATIONS

## CERTIFICATIONS

Certifications	CE: EN 60950-1 UL: UL60950-1 FCC: FCC Part 15
----------------	---

## GENERAL

Power	DC 12V±25%, PoE (IEEE 802.3af) Power consumption: Max 6.0W
Dimensions (Ø x H)	110 x 61mm (Ø4.3" x 2.4")
Net Weight	0.37kg (0.82lb)
Material	Metal + Plastic
Working Environment	-30°C - 60°C (-22°F - 140°F), Humidity: ≤95% RH (non-condensing)
Storage Environment	-30°C - 60°C (-22°F - 140°F), Humidity: ≤95% RH (non-condensing)
Surge protection	2KV
Ingress Protection	IP67
Vandal Resistant	IK10
Reset Button	N/A

# COMPATIBLE BRACKETS



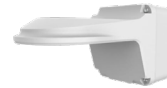
Junction Box  
Waterproof Joint



Fixed Dome Indoor Pendant  
Mount



Fixed Dome  
Junction Box



Fixed Dome Outdoor Wall Mount  
with Junction Box



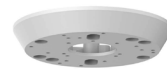
Fixed Dome Indoor/Outdoor  
Pendant Mount



Fixed Dome Indoor/Outdoor  
Pendant Mount



3in Electric-box Transfer Plate  
for Fixed Lens Camera



3in Electric-box Transfer Plate for  
Fixed Lens Camera (wide base)



Bullet & Dome Corner Mounting  
Bracket



Fixed Dome  
Indoor Incline Mount



Pole Mount



4-inch Fixed Dome  
Indoor Wall Mount

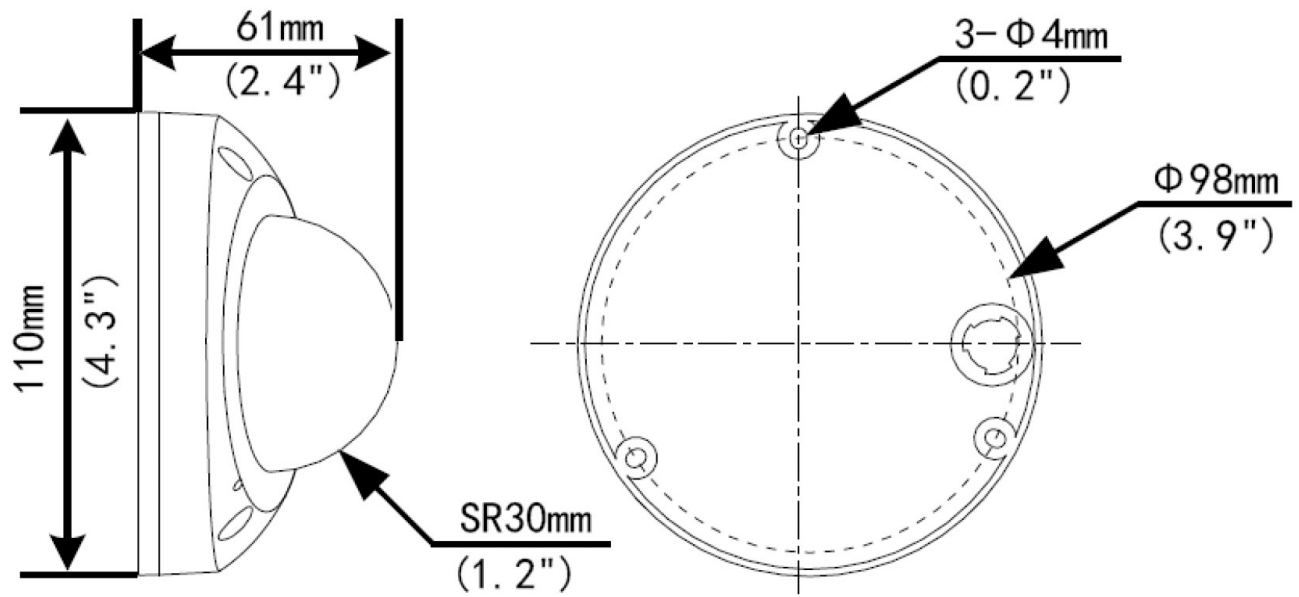


**Precision Security Specialist**

3306070265

<http://PSS.alibidealer.com>

# DIMENSIONS



**Precision Security Specialist**

3306070265

<http://PSS.alibidealer.com>