



VIGILANT PERFORMANCE SERIES



## ALIBI VIGILANT PERFORMANCE 5MP STARLIGHT 98 FEET IR IP DOME CAMERA

### Key Specifications:

- + 5MP high-resolution 2880 x 1620 @ 25fps
- + 2.8mm @ F1.6
- + Smart IR up to 98 feet nighttime viewing
- + Starlight technology - Colour: 0.003Lux, 0 Lux with IR
- + Audio-Alarm I/O
- + MicroSD, up to 256GB
- + ANR Network Storage
- + ONVIF (Profile S, Profile G, Profile T), API
- + Up to 120dB true WDR (Wide Dynamic Range)
- + IK10 and IP67 rating
- + Meets NDAA federal government compliance requirements
- + One-click Cloud firmware updating

The ALIBI® Vigilant Performance Series, 5MP 98 feet IR Fixed Dome Camera delivers crisp video day or night. It also offers flexible storage solutions, with a built-in micro SD slot - enabling local storage up to 256GB.

- + **3D Digital Noise Reduction (DNR)** effectively filters noise to produce a crisper, clear video stream.
- + **IP67 weatherproof housing** - this dome camera delivers long-term durability even among extreme weather conditions such as rain, snow, and ice and has a wide temperature range of -22 degrees to 140 degrees Fahrenheit.



**Precision Security Specialist**  
3306070265  
<http://PSS.alibidealer.com>

# SPECIFICATIONS

## CAMERA

|                         |   |            |
|-------------------------|---|------------|
| Sensor                  | 1/2.7", 5.0 megapixel, progressive scan, CMOS         |            |
| Lens                    | 2.8mm@F1.6  | 4.0mm@F1.6 |
| Angle of View (H)       | 96.1°   | 78.7°      |
| Angle of View (V)       | 55.3°   | 44.9°      |
| Angle of View (O)       | 111.1°  | 89.2°      |
| Adjustment angle        | Pan: 3° - 360°<br>Tilt: 0° - 68°<br>Rotate: 3° - 360° |            |
| Shutter                 | Auto/Manual, 1 - 1/100000s                            |            |
| Minimum Illumination    | Colour: 0.003 Lux (F1.6, AGC ON)<br>OLux with IR      |            |
| Day/Night               | IR-cut filter with auto switch (ICR)                  |            |
| Digital Noise Reduction | 2D/3D DNR   |            |
| S/N                     | >56dB   |            |
| IR Range                | Up to 30m (98ft) IR range                             |            |
| Wavelength              | 850nm   |            |
| IR On/Off Control       | Auto/Manual   |            |
| Defog                   | Digital Defog   |            |
| WDR                     | 120dB   |            |

## DORI DISTANCE

|               |      |      |
|---------------|------|------|
| Lens (mm)     | 2.8  | 4.0  |
| Detect (m)    | 63.0 | 90.0 |
| Observe (m)   | 25.2 | 36.0 |
| Recognize (m) | 12.6 | 18.0 |
| Identify (m)  | 6.3  | 9.0  |

## VIDEO

|                    |   |  |
|--------------------|---|--|
| Video Compression  | Ultra 265, H.265, H.264, MJPEG  |  |
| H.264 code profile | Baseline profile, Main profile, High profile  |  |
| Frame Rate         | Main Stream: 5MP (2880*1620), Max 25fps;<br>4MP (2560*1440), Max 25fps; 3MP (2304*1296), Max 25fps; 1080P (1920*1080), Max 30fps;<br>Sub Stream: D1 (720*576), Max 30fps;<br>Third Stream: CIF (352*288), Max 30fps |  |
| Video Bit Rate     | 128 Kbps-16 Mbps  |  |
| OSD                | Up to 8 OSDs  |  |
| Privacy Mask       | Up to 4 areas   |  |
| ROI                | Up to 8 areas   |  |
| Motion Detection   | Up to 4 areas   |  |

## IMAGE

|                         |  |
|-------------------------|--|
| White Balance           | Auto/Outdoor/Fine Tune/Sodium Lamp/Locked/Auto2                  |
| Digital noise reduction | 2D/3D DNR  |
| Smart IR                | Support  |
| Flip                    | Normal/Vertical/Horizontal/180°/90° Clockwise/90° Anti-clockwise |
| Dewarping               | N/A  |
| HLC                     | Supported  |
| BLC                     | Support  |

## AUDIO

|                   |           |
|-------------------|-----------|
| Audio Compression | G.711     |
| Two-way audio     | Supported |
| Suppression       | Supported |
| Sampling Rate     | 8KHZ      |

## STORAGE

|                 |                       |
|-----------------|-----------------------|
| Edge Storage    | Micro SD, up to 256GB |
| Network Storage | ANR                   |

## NETWORK

|                        |  |
|------------------------|--|
| Protocols              | IPv4, IGMP, ICMP, ARP, TCP, UDP, DHCP, RTP, RTSP, RTCP, DNS, DDNS, NTP, FTP, UPnP, HTTP, HTTPS, SMTP, SSL, SNMP  |
| Compatible Integration | ONVIF (Profile S, Profile G, Profile T), API   |
| Client                 | Alibi Vigilant CMS<br>Alibi Vigilant Toolbox<br>Alibi Vigilant Mobile  |
| Web Browser            | Plug-in required live view: IE9+, Chrome 41 and below, Firefox 52 and below<br>Plug-in free live view: Chrome 57.0+, Firefox 58.0+, Edge 16+, Safari 11+ |

## INTERFACE

|           |   |
|-----------|---|
| Audio I/O | Input: impedance 35kΩ; amplitude 2V [p-p]<br>Output: impedance 600Ω; amplitude 2V [p-p] |
| Alarm I/O | 1/1   |
| Network   | 1 RJ45 10M/100M Base-TX Ethernet  |



# SPECIFICATIONS

## CERTIFICATIONS

|                |   |
|----------------|---|
| Certifications | CE: EN 60950-1<br>UL: UL60950-1<br>FCC: FCC Part 15 |
|----------------|---|

## GENERAL

|                     |   |
|---------------------|---|
| Power               | DC 12V±25%, PoE (IEEE 802.3af)<br>Power consumption: Max 4.5W       |
| Dimensions (Ø x H)  | 109 x 83mm (Ø4.3" x 3.3")   |
| Weight              | 0.37kg (0.82lb)   |
| Material            | Metal + Plastic   |
| Working Environment | -30°C ~ 60°C (-22°F ~ 140°F),<br>Humidity: ≤95% RH (non-condensing) |
| Storage Environment | -30°C ~ 60°C (-22°F ~ 140°F),<br>Humidity: ≤95% RH (non-condensing) |
| Surge Protection    | 2KV   |
| Ingress Protection  | IP67  |
| Vandal Resistant    | IK10  |
| Reset Button        | Supported   |

# COMPATIBLE BRACKETS



Junction Box  
Waterproof Joint



Fixed Dome Indoor Pendant  
Mount



Fixed Dome  
Junction Box



Fixed Dome Outdoor Wall Mount  
with Junction Box



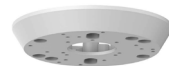
Fixed Dome Indoor/Outdoor  
Pendant Mount



Fixed Dome Indoor/Outdoor  
Pendant Mount



3in Electric-box Transfer Plate for  
Fixed Lens Camera



3in Electric-box Transfer Plate for  
Fixed Lens Camera (wide base)



Bullet & Dome Corner Mounting  
Bracket



Fixed Dome  
Indoor Incline Mount



Pole Mount



4-inch Fixed Dome  
Indoor Wall Mount

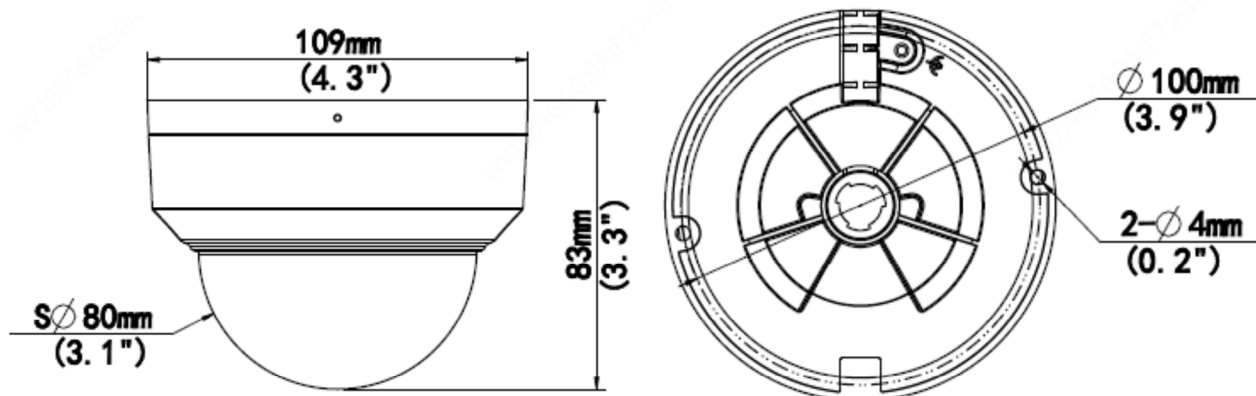


**Precision Security Specialist**

3306070265

<http://PSS.alibidealer.com>

# DIMENSIONS



Precision Security Specialist

3306070265

<http://PSS.alibidealer.com>