



VIGILANT FLEX SERIES



ALIBI VIGILANT FLEX SERIES 4MP STARLIGHT IP VANDAL-RESISTANT DOME CAMERA

Key Specifications:

- + 4MP IP dome camera
- + 2.8mm fixed lens
- + 101.1 degrees Field of View
- + 98 feet Smart IR Distance
- + Starlight chipset for color in low light
- + MicroSD card slot - up to 256GB
- + 0.003 low-light Lux rating
- + 120dB True WDR
- + ANR,NAS(NFS) Network Storage
- + IK10 vandal-resistant
- + IP67 rating - withstands temps from -22 degrees to 140 degrees Fahrenheit
- + NDA compliant

The Alibi Vigilant Flex Series Cameras, 4MP Dome Security Camera delivers crisp video day or night.

This product has been specifically designed and manufactured to comply with the latest technical requirements specified under NDA regulations

- + **Multi-Megapixel Resolution Video** - 4MP camera captures a high level of clarity and detail for most applications
- + **Capture Color Video at Night** - Starlight technology chipset uses ambient light sources to capture color videos in extreme low light conditions
- + **4MP high-performance CMOS** produces superior high-resolution images and recordings.
- + **3D Digital Noise Reduction (DNR)** - Get exceptional video image quality with less noise. 3D Digital Noise Reduction (3D-DNR). 3D-DNR incorporates frame-to-frame noise reduction with spatial noise reduction to produce clear video images with less noise in low light conditions.
- + **Advanced Analytics includes:**
 - Motion Detection
 - Intrusion Detection
 - Cross line detection
 - Tampering Alarm
- + **IP67 weatherproof housing** this bullet camera has a wide temperature range of -22 degrees to 140 degrees Fahrenheit - delivering long-term durability even among extreme weather conditions such as rain, snow, and ice.



Precision Security Specialist
3306070265
<http://PSS.alibidealer.com>

SPECIFICATIONS

CAMERA

Sensor	1/3", 4.0 megapixel, progressive scan, CMOS	
Lens	2.8mm@F1.6	4.0mm@F1.6
Angle of view (H)	101.1°	83.7°
Angle of View (V)	55.3°	44.9°
Angle of View (O)	111.1°	89.2°
Adjustment angle	Pan: 3° - 360° Tilt: 0° - 68° Rotate: 3° - 360°	
Shutter	Auto/Manual, 1 - 1/100000s	
Minimum Illumination	Support Easystar: Colour: 0.003Lux (F1.6, AGC ON) 0Lux with IR	
Day/Night	IR-cut filter with auto switch (ICR)	
Digital noise reduction S/N	2D/3D DNR >56dB	
IR Range	Up to 30m (98ft) IR range	
Wavelength	850nm	
IR On/Off Control	Auto/Manual	
Defog	Digital Defog	
WDR	120dB	

DORI DISTANCE

Lens (mm)	2.8	4.0
Detect (m)	63.0	90.0
Observe (m)	25.2	36.0
Recognize (m)	12.6	18.0
Identify (m)	6.3	9.0

VIDEO

Video Compression	Ultra 265, H.265, H.264, MJPEG
H.264 code profile	Baseline profile, Main profile, High profile
Frame Rate	Main Stream: 4MP (2688*1520), Max 25fps; 4MP (2560*1440), Max 25fps; 3MP (2304*1296), Max 30fps; 2MP (1920*1080), Max 30fps; Sub Stream: 720P (1280*720), Max 30fps; D1 (720*576), Max 30fps; 640*360, Max 30fps; 2CIF(704*288), Max 30fps; CIF(352*288), Max 30fps;
Video Bit Rate	128 Kbps-16 Mbps
9:16 Corridor Mode	Supported
OSD	Up to 4 OSDs
Privacy Mask	Up to 4 areas
ROI	Up to 8 areas
Motion Detection	Up to 4 areas

IMAGE

White Balance	Auto/Outdoor/Fine Tune/Sodium Lamp/Locked/Auto2
Digital noise reduction	2D/3D DNR
Smart IR	Supported
Flip	Normal/Vertical/Horizontal/180°/90°Clockwise/90°Anti-clockwise
Dewarping	N/A
HLC	Supported
BLC	Supported

NETWORK

Protocols	IPv4, IGMP, ICMP, ARP, TCP, UDP, DHCP, RTP, RTSP, RTCP, RTMP, DNS, DDNS, NTP, FTP, UPnP, HTTP, HTTPS, SMTP, SSL, 802.1x, SNMP
Compatible Integration	ONVIF (Profile S, Profile G, Profile T), API
Client	Alibi Vigilant CMS Alibi Vigilant Toolbox Alibi Vigilant Mobile
Web Browser	Plug-in required live view: IE9+, Chrome 41 and below, Firefox 52 and below Plug-in free live view: Chrome 57.0+, Firefox 58.0+, Edge 16+, Safari 11+

STORAGE

Edge Storage	Micro SD, up to 256 GB
Network Storage	ANR,NAS(NFS)

INTERFACE

Network	10/100M Base-TX Ethernet
---------	--------------------------

CERTIFICATIONS

Certifications	CE: EN 60950-1 UL: UL60950-1 FCC: FCC Part 15
----------------	---

GENERAL

Power	DC 12V±25%, PoE (IEEE 802.3af) Power consumption: Max5.5W
Dimensions (Ø x H)	109 x 83mm (Ø4.3" x 3.3")
Weight	0.37kg (0.82lb)
Material	Metal + Plastic
Working Environment	-30°C - 60°C (-22°F - 140°F), Humidity: ≤95% RH (non-condensing)
Storage Environment	-30°C - 60°C (-22°F - 140°F), Humidity: ≤95% RH (non-condensing)
Surge Protection	4KV
Ingress Protection	IP67
Vandal Resistant	IK10
Reset Button	N/A



Precision Security Specialist

3306070265

<http://PSS.alibidealer.com>

COMPATIBLE BRACKETS



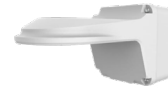
Junction Box
Waterproof Joint



Fixed Dome Indoor Pendant
Mount



Fixed Dome
Junction Box



Fixed Dome Outdoor Wall Mount
with Junction Box



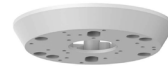
Fixed Dome Indoor/Outdoor
Pendant Mount



Fixed Dome Indoor/Outdoor
Pendant Mount



3in Electric-box Transfer Plate for
Fixed Lens Camera



3in Electric-box Transfer Plate for
Fixed Lens Camera (wide base)



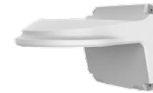
Bullet & Dome Corner Mounting
Bracket



Fixed Dome
Indoor Incline Mount

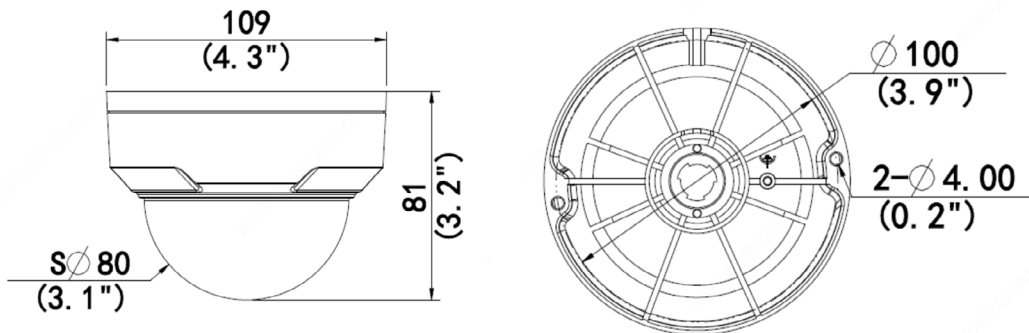


Pole Mount



4-inch Fixed Dome
Indoor Wall Mount

DIMENSIONS



Precision Security Specialist

3306070265

<http://PSS.alibidealer.com>