



VIGILANT FLEX SERIES



## ALIBI VIGILANT FLEX SERIES 4MP IP VANDAL-RESISTANT DOME CAMERA

### Key Specifications:

- + 4MP IP dome camera
- + 2.8mm fixed lens
- + 97.0 degrees Field of View
- + 98 feet Smart IR Distance
- + DORI Distance: Detect 63.0m, Observe 25.2m, Recognize 12.6m, Identify 6.3m
- + MicroSD card slot - up to 128GB
- + 0.002 low-light Lux rating
- + Supports Ultra H.265, H.265, H.264, MJPEG
- + DWDR (Digital Wide Dynamic Range)
- + ONVIF (Profile S, Profile T, Profile G), API
- + IK10 vandal-resistant
- + IP67 rating - withstands temps from -22 degrees to 140 degrees Fahrenheit
- + NDA A compliant

The Alibi Vigilant Flex Series Cameras, 4MP Dome Security Camera delivers crisp video day or night.

This product has been specifically designed and manufactured to comply with the latest technical requirements specified under NDA A regulations.

- + **Multi-Megapixel Resolution Video** - 4MP camera captures a high level of clarity and detail for most applications
- + **4MP high-performance CMOS** - produces superior high-resolution images and recordings.
- + **Advanced Analytics includes:**
  - Motion Detection
  - Audio Detection
  - Tampering Alarm
- + **IP67 weatherproof housing** this dome camera has a wide temperature range of -22 degrees to 140 degrees Fahrenheit - delivering long-term durability even among extreme weather conditions such as rain, snow, and ice.



Precision Security Specialist

3306070265

<http://PSS.alibidealer.com>

# SPECIFICATIONS

## CAMERA

Sensor	1/3", progressive scan, CMOS	
Shutter	Auto/Manual, 1 - 1/100000s	
Minimum Illumination	Colour: 0.02Lux (F2.1, AGC ON) 0Lux with IR	
Day/Night	IR-cut filter with auto switch (ICR)	
Digital noise reduction	2D/3D DNR	
S/N	>52dB	
IR Range	Up to 30m (98ft) IR range	
Defog	Digital Defog	
WDR	DWDR	
Lens	2.8mm@F2.1	4.0mm@F2.1
Angle of View (H)	97.0°	79.0°
Angle of View (V)	52.2°	42.3°
Angle of View (O)	107.5°	85.1°
Adjustment angle	Pan: 3° - 360°	Tilt: 0° - 75°

## DORI

Lens (mm)	2.8	4.0
Detect (m)	63.0	90.0
Observe (m)	25.2	36.0
Recognize (m)	12.6	18.0
Identify (m)	6.3	9.0

## VIDEO

Video Compression	Ultra 265, H.265, H.264
H.264 code profile	Baseline profile, Main profile, High profile
Frame Rate	Main Stream: 4MP (2560*1440), Max 20fps; 3MP (2304*1296), Max 20fps; 1080P (1920*1080), Max 30fps; Sub Stream: 720P (1280*720), Max 30fps; D1 (720*576), Max 30fps; 640*360, Max 30fps; 2CIF(704*288), Max 30fps; CIF(352*288), Max 30fps;
HLC	Supported
BLC	Supported
OSD	Up to 4 OSDs
Privacy Mask	Up to 4 areas
ROI	Up to 8 areas
Motion Detection	Up to 4 areas

## NETWORK

Protocols	IPv4, IGMP, ICMP, ARP, TCP, UDP, DHCP, RTP, RTSP, RTCP, DNS, DDNS, NTP, FTP, UPnP, HTTP, HTTPS, SMTP, SSL, QoS, RTMP
Compatible Integration	ONVIF (Profile S, Profile T), API

## INTERFACE

Network	10/100M Base-TX Ethernet
---------	--------------------------

## GENERAL

Power	DC 12V±25%, PoE (IEEE 802.3af) Power consumption: Max 3.5W
Dimensions (Ø x H)	Ø109 x 81mm (Ø4.3" x 3.2")
Weight	0.33kg (0.73lb)
Working Environment	-30°C - 60°C (-22°F - 140°F), Humidity: ≤95% RH (non-condensing)
Surge Protection	4KV
Ingress Protection	IP67
Vandal Resistant	IK10
Reset Button	N/A



Precision Security Specialist

3306070265

<http://PSS.alibidealer.com>

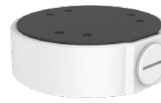
# COMPATIBLE BRACKETS



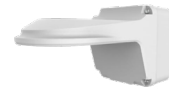
Junction Box  
Waterproof Joint



Fixed Dome Indoor Pendant  
Mount



Fixed Dome  
Junction Box



Fixed Dome Outdoor Wall Mount  
with Junction Box



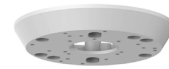
Fixed Dome Indoor/Outdoor  
Pendant Mount



Fixed Dome Indoor/Outdoor  
Pendant Mount



3in Electric-box Transfer Plate for  
Fixed Lens Camera



3in Electric-box Transfer Plate for  
Fixed Lens Camera (wide base)



Bullet & Dome Corner Mounting  
Bracket



Fixed Dome  
Indoor Incline Mount

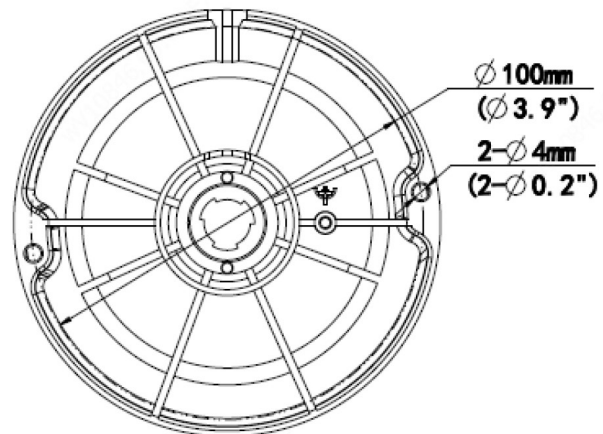
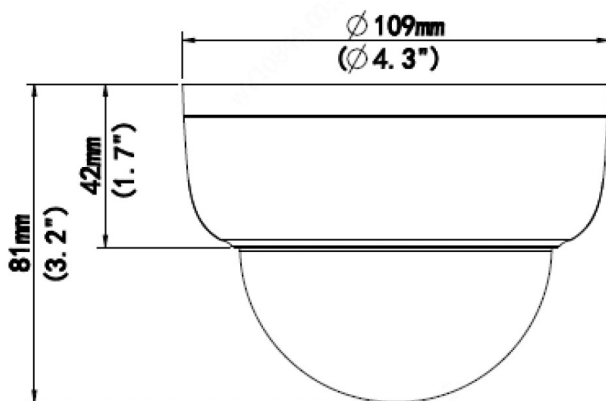


Pole Mount



4-inch Fixed Dome  
Indoor Wall Mount

# DIMENSIONS



**Precision Security Specialist**

3306070265

<http://PSS.alibidealer.com>