



VIGILANT FLEX SERIES



## ALIBI VIGILANT FLEX SERIES STARLIGHT+ 4MP IP FIXED DOME NETWORK CAMERA

### Key Specifications:

- + 4MP IP dome camera
- + 2.8mm lens
- + 110.4 degrees Field of View
- + Starlight+ technology ensures 24 hour full color images
- + Built-In Microphone
- + Supports Ultra H.265, H.265, H.264, MJPEG
- + 120dB True WDR
- + Supports up to 128GB Micro SD-Card
- + NDAA compliant
- + IP67 rating - withstands temps from -22 degrees to 140 degrees Fahrenheit
- + IK10 vandal proof protection

The Alibi Vigilant Flex Series Starlight+ 4MP Fixed Dome Security Camera delivers crisp video day or night.

This product has been specifically designed and manufactured to comply with the latest technical requirements specified under NDAA regulations.

- + **Multi-Megapixel Resolution Video** - 4MP camera captures a high level of clarity and detail for most applications
- + **3D Digital Noise Reduction (DNR)** - Get exceptional video image quality with less noise. 3D Digital Noise Reduction (3D-DNR). 3D-DNR incorporates frame-to-frame noise reduction with spatial noise reduction to produce clear video images with less noise in low light conditions.
- + **IP67 weatherproof housing** this dome camera has a wide temperature range of -22 degrees to 140 degrees Fahrenheit - delivering long-term durability even among extreme weather conditions such as rain, snow, and ice.



Precision Security Specialist  
3306070265  
<http://PSS.alibidealer.com>

# SPECIFICATIONS

## CAMERA

Sensor	1/1.8", 4.0 megapixel, progressive scan, CMOS
Minimum Illumination	Colour: 0.0003lux (F1.0, AGC ON)
Shutter	Auto/Manual, 11/100000s
Adjustment angle	Pan: 8° - 360° Tilt: 0° - 68° Rotate: 10° - 360°
WDR	120dB
S/N	>52dB

## LENS

Lens	2.8 mm@F1.0	4.0mm@F1.0
Iris	Fixed	
Field of View (H)	110.4°	89.4°
Field of View (V)	60.5°	48.2°
Field of View (D)	115.2°	94.7°

## DORI

Lens (mm)	2.8	4.0
Detect (m)	43.4(142.5ft)	62.1(203.6ft)
Observe (m)	17.4(57.0ft)	24.8(81.5ft)
Recognize (m)	8.7(28.5ft)	12.4(40.7ft)
Identify (m)	4.3(14.3ft)	6.2(20.4ft)

## VIDEO

Video Compression	Ultra265, H.265, H.264, MJPEG
H.264 code profile	Baseline profile, Main profile, High profile
Frame Rate	Main Stream: 4MP (2688*1520), Max 25fps; 4MP (2560*1440), Max 25fps; 3MP (2304*1296), Max 30fps; 1080P (1920*1080), Max 30fps; Sub Stream: 720P (1280*720), Max 30fps; D1 (720*576), Max 30fps; 640*360, Max 30fps; 2CIF(704*288), Max 30fps; CIF(352*288), Max 30fps;
Video Bit Rate	128 Kbps-6144Kbps
U-code	Support
OSD	Up to 4 OSDs
Privacy Mask	Up to 4 areas
ROI	Up to 8 areas
Video Stream	Dual streams

## IMAGE

White Balance	Auto/Outdoor/Fine Tune/Sodium Lamp/Locked/Auto2
Digital noise reduction	2D/3D DNR
Smart Illumination	N/A
Flip	Normal/Vertical/Horizontal/180°/90° Clockwise/90° Anti-clockwise
Dewarping	N/A
HLC	Support
BLC	Support
Defog	Digital Defog

## EVENTS

Basic Detection	Cross line, intrusion(based on human body detection), Motion detection, Ultra motion detection, Tampering alarm, Audio Detection
General Function	Watermark, IP Address Filtering, Access Policy, ARP Protection, RTSP Authentication, User Authentication, HTTP authentication

## AUDIO

Audio Compression	G.711U, G.711A
Audio Bitrate	64 Kbps
Two-way audio	N/A
Suppression	Support
Sampling Rate	8KHZ

## STORAGE

Edge Storage	Micro SD, up to 512GB
Network Storage	ANR, NAS(NFS)



Precision Security Specialist

3306070265

<http://PSS.alibidealer.com>

# SPECIFICATIONS

## NETWORK

Protocols	IPv4, IGMP, ICMP, ARP, TCP, UDP, DHCP, PPPoE, RTP, RTSP, RTCP, DNS, DDNS, NTP, FTP, UPnP, HTTP, HTTPS, SMTP, SNMP, 802.1x, QoS, RTMP,SSL/TLS
Compatible Integration	ONVIF (Profile S, Profile G, Profile T), API,SDK
User/Host	Up to 32 users. 2 user levels: administrator and common user
Security	Password protection, Strong password, HTTPS encryption, Export operation logs, Basic and digest authentication for RTSP, Digest authentication for HTTP, TLS 1.2, WSSE and digest authentication for ONVIF
Client	Alibi Vigilant CMS Alibi Vigilant Toolbox Alibi Vigilant Mobile
Web Browser	Plug-in required live view: IE 10 and above, Chrome 45 and above, Firefox 52 and above, Edge 79 and above  Plug-in free live view: Chrome 57.0 and above, Firefox 58.0 and above, Edge 16 and above

## INTERFACE

Audio I/O	N/A
Alarm I/O	N/A
Serial Port	N/A
Built-in Mic	Support
Built-in Speaker	N/A
WIFI	N/A
Network	1 * RJ45 10M/100M Base-TX Ethernet
Video Output	N/A

## CERTIFICATIONS

EMC	CE-EMC (EN 55032,EN 61000-3-3,EN IEC 61000-3-2,EN 55035) FCC (FCC 47 CFR part15 B)
Safety	CE LVD (EN 62368-1) UL/CUL (UL 62368-1, CAN/CSA C22.2 No. 62368-1)
Environment	CE-RoHS (2011/65/EU;(EU)2015/863); WEEE (2012/19/EU)
Protection	IP67 (IEC 60529) IK10 (IEC 62262)

## GENERAL

Power	DC 12V±25%, PoE (IEEE 802.3af) Power consumption: Max 2.8W
Power Interface	Ø 5.5mm coaxial power plug
Dimensions (Ø x H)	128mmx100mm (Ø5.0" x 3.9")
Weight	0.63kg (1.39lb)
Material	Metal + Plastic
Working Environment	-30°C - 60°C (-22°F - 140°F), Humidity: ≤95% RH (non-condensing)
Storage Environment	-30°C - 60°C (-22°F - 140°F), Humidity: ≤95% RH (non-condensing)
Surge Protection	4KV
Reset Button	Support



# COMPATIBLE BRACKETS



Junction Box  
Waterproof Joint



Fixed Dome and Fisheye  
Junction Box



Fixed Dome Outdoor Wall  
Mount with Junction Box



Bullet & Dome Corner  
Mounting Bracket

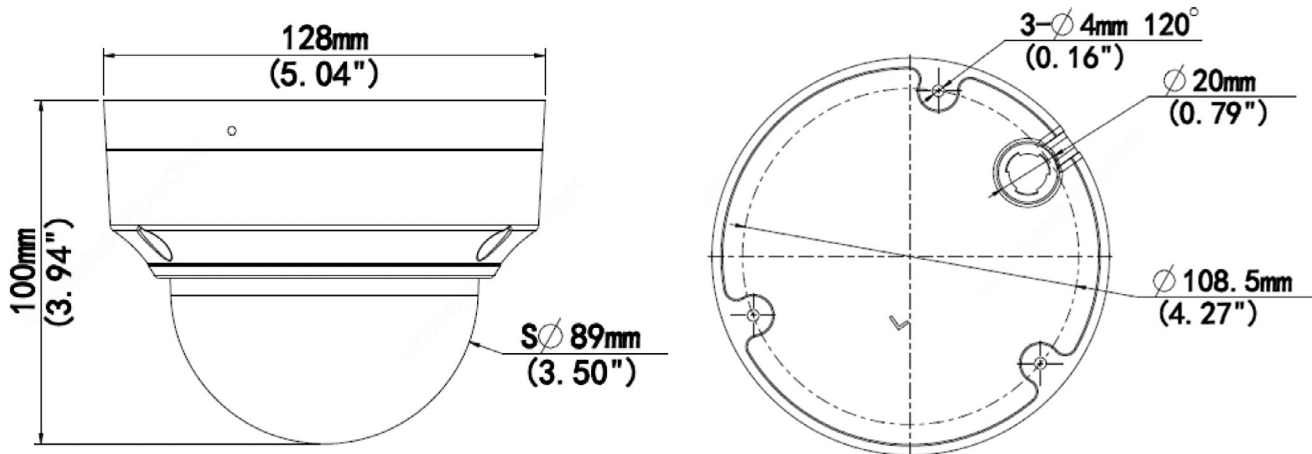


Pole Mount



3-inch Fixed Dome Indoor  
Wall Mount

# DIMENSIONS



Precision Security Specialist

3306070265

<http://PSS.alibidealer.com>