



VIGILANT FLEX SERIES



ALIBI VIGILANT FLEX SERIES 8MP IP FIXED BULLET CAMERA

Key Specifications:

- + 8MP IP Bullet camera
- + 2.8mm fixed lens
- + 1/2.7" CMOS sensor
- + 112.9 degrees Field of View
- + 98 feet Smart IR Distance
- + MicroSD card slot - up to 128GB
- + Built-in mic
- + 0.01 low-light Lux rating
- + 120dB True WDR
- + ONVIF (Profile S, Profile G, Profile T), API, SDK
- + ANR,NAS(NFS) Network Storage
- + IP67 rating - withstands temps from -22 degrees to 140 degrees Fahrenheit
- + NDAA compliant

The Alibi Vigilant Flex Series Camera, 8MP Fixed Bullet Security Camera, delivers crisp video day or night.

This product has been specifically designed and manufactured to comply with the latest technical requirements specified under NDAA regulations.

- + **Multi-Megapixel Resolution Video** - 8MP camera captures a high level of clarity and detail for most applications
- + **3D Digital Noise Reduction (DNR)** effectively filters noise to produce a crisp, clear video stream.
- + **Smart Analytics Include:**
 - Motion Detection
 - Cross Line Detection
 - Intrusion Detection
 - Tampering Alarm
 - Audio Detection
- + **IP67 weatherproof housing** this bullet camera has a wide temperature range of -22 degrees to 140 degrees Fahrenheit - delivering long-term durability even among extreme weather conditions such as rain, snow, and ice.



Precision Security Specialist

3306070265

<http://PSS.alibidealer.com>

SPECIFICATIONS

CAMERA

Sensor	1/2.7", 8.0 megapixel, progressive scan, CMOS
Minimum Illumination	Colour: 0.01 lux (F1.6, AGC ON) 0Lux with IR on
Day/Night	IR-cut filter with auto switch (ICR)
Shutter	Auto/Manual, 1 - 1/100000s
Adjustment angle	Pan: 0° - 360° Tilt: 0° - 90° Rotate: 0° - 360°
S/N	>56dB
WDR	120dB

LENS

Lens Type	2.8mm @F1.6, Fixed-focal	4.0mm @F1.6, Fixed-focal
Field of View (H)	112.9°	91.2°
Field of View (V)	59.1°	47.9°
Field of View (D)	121.2°	95.9°

DORI

Lens (mm)	2.8	4.0
Detect (m)	63.0	90.0
Observe (m)	25.2	36.0
Recognize (m)	12.6	18.0
Identify (m)	6.3	9.0

VIDEO

Video Compression	H.265, H.264, MJPEG
H.264 code profile	Baseline profile, Main profile, High profile
Frame Rate	Main Stream: 8MP (3840*2160)@15fps ; 5MP (2880*1620)@25/20fps ;4MP (2560*1440)@25/20fps; 3MP (2304*1296)@30/25fps; 2MP (1920*1080)@30/25fps Sub Stream: 720P (1280*720), Max 30fps; D1 (720*576), Max 30fps; 640*360,Max 30fps
Video Bit Rate	128 Kbps-16384 kbps
Smart Encoding	Supported
OSD	Up to 4 OSDs
Privacy Mask	Up to 4 areas
ROI	Up to 8 areas
Motion Detection	Up to 4 areas

ILLUMINATOR

IR Range	Up to 30m (98ft) IR range
Wavelength	850nm
IR On/Off Control	Auto/Manual

IMAGE

White Balance	Auto/Outdoor/Fine Tune/Sodium Lamp/Locked/Auto2
Image Setting	Image rotation, brightness, saturation, contrast, sharpness, gain adjustable by web browser
Digital noise reduction	2D/3D DNR
Smart IR	Supported
Flip	Normal/Vertical/Horizontal/180°/90° Clockwise/90°Anti-clockwise
Dewarping	N/A
HLC	Supported
BLC	Supported
Defog	Digital Defog

EVENTS

Behavior Detection	Cross line, intrusion(based on human body detection) Motion detection, tampering alarm, audio detection
General Function	Watermark, IP address filtering, access policy, ARP protection, RTSP authentication, user authentication

AUDIO

Audio Compression	G.711A,G.711U
Suppression	Supported
Sampling Rate	8KHZ

STORAGE

Edge Storage	Micro SD, up to 256GB
Network Storage	NAS(NFS)



SPECIFICATIONS

NETWORK

Protocols	IPV4, IPV6, IGMP, ICMP, ARP, TCP, UDP, DHCP, PPPoE, RTP, RTSP, RTCP, DNS, DDNS, NTP, FTP, UPnP, HTTP, HTTPS, SMTP, 802.1x, SNMP, QoS, RTMP,SSL, TLS, SSH
Compatible Integration	ONVIF (Profile S, Profile G, Profile T), API , SDK
User/Host	Up to 32 users. 2 user levels: administrator and common user
Security	Password protection, Strong password, HTTPS encryption, Export operation logs, Basic and digest authentication for RTSP, Digest authentication for HTTP, TLS 1.2, WSSE and digest authentication for ONVIF
Web Browser	Plug-in required live view: IE9+, Chrome 41 and below, Firefox 52 and below Plug-in free live view: Chrome 57.0+, Firefox 58.0+, Edge 16+

INTERFACE

Audio I/O	N/A
Alarm I/O	N/A
RS485	N/A
Built-in Mic	Support
Built-in Speaker	N/A
WIFI	N/A
Network	1 RJ45 10M/100M Base-TX Ethernet
Video Output	N/A

CERTIFICATIONS

EMC	CE-EMC (EN 55032: 2015+A1:2020,EN 61000-3-3: 2013+A1: 2019,EN IEC 61000-3-2: 2019+A1: 2021,EN 55035: 2017+A11:2020) FCC (FCC CFR 47 part15 B, ANSI C63.4-2014)
Safety	CE LVD (EN 62368-1:2014+A11:2017) CB (IEC 62368-1:2014) UL (UL 62368-1, 2nd Ed., Issue Date: 2014-12-01)
Environment	CE-RoHS (2011/65/EU;(EU)2015/863); WEEE (2012/19/EU); Reach (Regulation (EC) No 1907/2006)
Protection	IP67 (IEC 60529:1989+AMD1:1999+AMD2:2013)

GENERAL

Power	DC 12V±25%, PoE (IEEE 802.3af) Power consumption: Max 5.0W
Power Interface	Ø 5.5mm coaxial power plug
Dimensions (L × W × H)	161 × 62 × 63mm (6.3" × 2.4" × 2.5")
Weight	0.33kg (0.72lb)
Material	Metal+Graphene
Working Environment	-30°C - 60°C (-22°F - 140°F), Humidity: ≤95% RH (non-condensing)
Storage Environment	-30°C - 60°C (-22°F - 140°F), Humidity: ≤95% RH (non-condensing)
Surge Protection	4KV
Reset Button	N/A



Precision Security Specialist

3306070265

<http://PSS.alibidealer.com>

COMPATIBLE BRACKETS



Junction Box
Waterproof Joint



Junction Box (with Circular
Base) for Bullet
Cameras



3in Electric-box Transfer Plate
for Fixed Lens Camera



3in Electric-box Transfer Plate
for Fixed Lens Camera (wide
base)

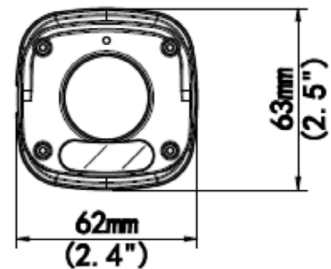
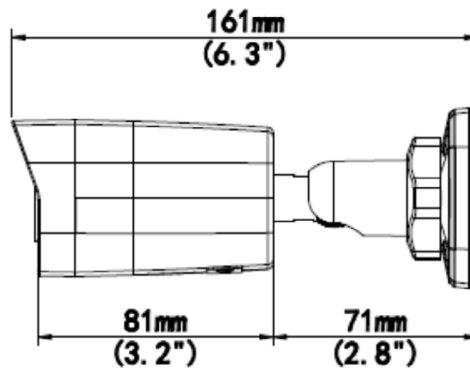
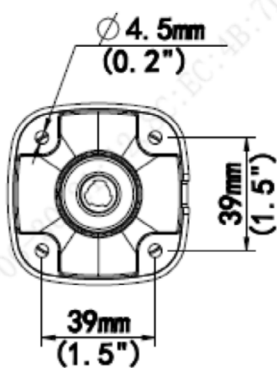


Bullet & Dome Corner Mounting
Bracket



Pole Mount Adapter for Bullet
Cameras

DIMENSIONS



Precision Security Specialist

3306070265

<http://PSS.alibidealer.com>