



VIGILANT FLEX SERIES



## ALIBI VIGILANT FLEX SERIES 4MP STARLIGHT IP MINI BULLET CAMERA

### Key Specifications:

- + 4MP IP mini bullet camera
- + 2.8mm fixed lens
- + 101.1 degrees Field of View
- + 164 feet Smart IR Distance
- + MicroSD card slot - up to 256GB
- + Built-in mic
- + Starlight chipset for color in low light
- + 0.003 low-light Lux rating
- + 120dB True WDR
- + ANR, NAS(NFS) Network Storage
- + NDAA compliant
- + IP67 rating - withstands temps from -22 degrees to 140 degrees Fahrenheit

- + **Multi-megapixel resolution** - Get more detail from your video camera. This camera captures multi-megapixel resolution video footage that delivers crisp, precise detail and clarity for your video security needs.
- + **Full Frame Illumination with Smart IR** - Smart full frame illumination technology offers several advantages over standard IR for flawless night vision, including:
  - Clearer, brighter images in low light and at night
  - Reduces overexposure of the IR LEDs at the center of the image
  - Increases illuminant efficiency up to 30%
  - Produces LED light in rectangle form to better fit screen size
  - Captures images up to 164 feet in the dark without washing out the subject at closer ranges
  - Reduces video noise for a clearer nighttime picture, and reduces bandwidth consumption and video storage requirements
- + **Innovative Day/Night Scene Detection** - includes a hardware sensor for smart software imaging that detects surveillance scene illumination. Designed to be water and dust-proof, this allows you to avoid unexpected costs of hardware failure.
- + **HTML5 Plugin Free** - use on almost any Browser for support. Easily access live view on most browsers:
  - Plug-in required live view: IE9+, Chrome 41 and below, Firefox 52 and below
  - Plug-in free live view: Chrome 57.0+, Firefox 58.0+, Edge 16+, Safari 11+
- + **Ultra H.265 Compression** - reduce bandwidth and storage requirements. With Ultra H.265 compression technology, you can store more information using less hard drive space. Ultra H.265 also helps you minimize bandwidth requirements for high-resolution video and makes the remote viewing less demanding on the recorder.
- + **Ease of Use** - everything you need to manage your system at your fingertips. With an intuitive interface, along with access to the free Vigilant Mobile App allowing you to view live and recorded video, system management has never been simpler.



Precision Security Specialist  
3306070265  
<http://PSS.alibidealer.com>

# SPECIFICATIONS

## CAMERA

Sensor	1/3", 4.0 megapixel, progressive scan, CMOS
Lens	2.8mm@F1.6
Angle of View (H)	101.1°
Angle of View (V)	55.3°
Angle of View (O)	111.1°
Adjustment Angle	Pan: 0° - 360°
Shutter	Auto/Manual, 1 - 1/100000s
Minimum Illumination	Support Easystar: Color: 0.003Lux ( F1.6, AGC ON)
OLux with IR	IR-cut filter with auto switch (ICR)
Day/Night	IR-cut filter with auto switch (ICR)
Digital Noise Reduction	2D/3D DNR
S/N	>56dB
IR Range	Up to 50m (164ft) IR range
Wavelength	850nm
IR On/Off Control	Auto/Manual
Defog	Digital Defog
WDR	120dB

## VIDEO

Video Compression	Ultra 265, H.265, H.264, MJPEG
H.264 Code Profile	Baseline profile, Main profile, High profile
Frame Rate	Main Stream: 4MP (2688*1520), Max 30fps; 4MP (2560*1440), Max 30fps; 3MP (2304*1296), Max 30fps; 1080P (1920*1080), Max 30fps; Sub Stream: 720P (1280*720), Max 30fps; D1 (720*576), Max 30fps; 640*360, Max 30fps; 2CIF(704*288), Max 30fps; CIF(352*288), Max 30fps;
Video Bit Rate	128 Kbps-16 Mbps
9:16 Corridor Mode	Supported
OSD	Up to 4 OSDs
Privacy Mask	Up to 4 areas
ROI	Up to 8 areas
Motion Detection	Up to 4 areas

## IMAGE

White Balance	Auto/Outdoor/Fine Tune/Sodium Lamp/Locked/Auto2
Digital Noise Reduction	2D/3D DNR
Smart IR	Support
Flip	Normal/Vertical/Horizontal/180°/90° Clockwise/90°Anti-clockwise
Dewarping	N/A
HLC	Supported
BLC	Supported

## AUDIO

Audio Compression	G.711
Suppression	Supported
Sampling Rate	8KHZ

## STORAGE

Edge Storage	Micro SD, up to 256GB
Network Storage	ANR, NAS(NFS)

## NETWORK

Protocols	IPv4, IGMP, ICMP, ARP, TCP, UDP, DHCP, RTP, RTSP, RTCP, RTMP, DNS, DDNS, NTP, FTP, UPnP, HTTP, HTTPS, SMTP, SSL, 802.1x, SNMP
Compatible Integration	ONVIF (Profile S, Profile G, Profile T), API
Client	Alibi Vigilant CMS Alibi Vigilant Toolbox Alibi Vigilant Mobile
Web Browser	Plug-in required live view: IE9+, Chrome 41 and below, Firefox 52 and below Plug-in free live view: Chrome 57.0+, Firefox 58.0+, Edge 16+, Safari 11+

## INTERFACE

Network	10/100M Base-TX Ethernet
Built-in Mic	Supported

## CERTIFICATIONS

Certifications	CE: EN 60950-1 UL: UL60950-1 FCC: FCC Part 15
----------------	---

## GENERAL

Power	DC 12V±25%, PoE (IEEE 802.3af) Power consumption: Max 6.0W
Dimensions(L × W × H)	6.5" × 2.5" × 2.5"
Net Weight	1.0
Material	Metal
Working Environment	-30°C - 60°C (-22°F - 140°F), Humidity: ≤95% RH (non-condensing)
Storage Environment	-30°C - 60°C (-22°F - 140°F), Humidity: ≤95% RH (non-condensing)
Surge Protection	4KV
Ingress Protection	IP67
Reset Button	N/A
Reset Button	Supported



Precision Security Specialist

3306070265

<http://PSS.alibidealer.com>

# COMPATIBLE BRACKETS



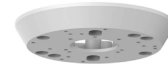
Junction Box  
Waterproof Joint



Junction Box (with Circular  
Base) for Bullet Cameras



3in Electric-box Transfer Plate  
for Fixed Lens Camera



3in Electric-box Transfer Plate  
for Fixed Lens Camera (wide  
base)

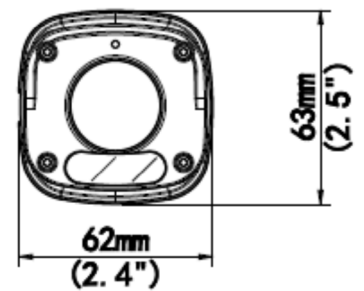
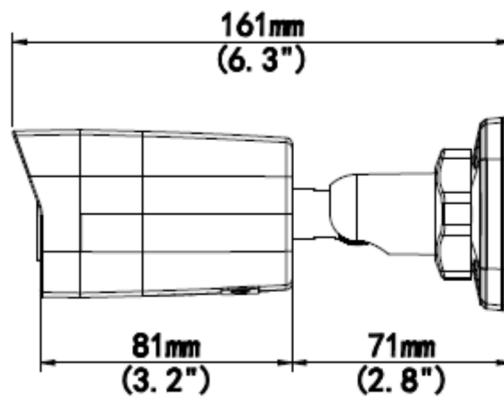
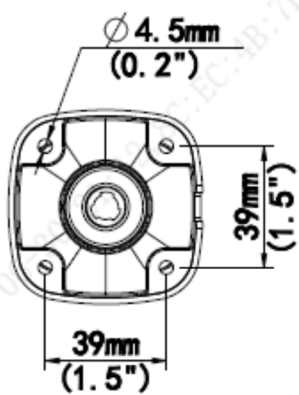


Bullet & Dome Corner Mounting  
Bracket



Pole Mount Adapter for Bullet  
Cameras

# DIMENSIONS



Precision Security Specialist

3306070265

<http://PSS.alibidealer.com>