



VIGILANT FLEX SERIES



ALIBI VIGILANT FLEX SERIES 2MP STARLIGHT 131FT 4-IN-1 FIXED TURRET SECURITY CAMERA

Key Specifications:

- + 2MP resolution
- + .005 Lux Rating
- + TVI/AHD/CVI/CVBS
- + Built-in Microphone for high quality audio over coax
- + 1/2.9" CMOS Sensor
- + 2.8mm lens
- + Smart IR, up to 131 ft
- + DWDR (Digital Wide Dynamic Range)
- + IP67 rating - withstands temps from -22 degrees to 140 degrees Fahrenheit
- + NDA Compliant

As part of the Alibi Vigilant Series, this 2MP 4-in-1 Fixed Turret Security Camera delivers crisp video day or night, providing HD-TVI/AHD/CVI/CVBS output for compatibility. Connect to any analog cameras on your network with one easy solution.

Protecting your home or business has never been easier – or more convenient. The 2MP HD-TVI turret security camera offers an impressive 131 feet IR – perfect for after-hours surveillance or anywhere you need to capture bright footage in dark conditions to protect your business. Whether it's 12pm or 12am, this versatile indoor/outdoor camera provides clear, crisp surveillance.

A 2.8mm wide-angle lens and Up the Coax (UTC) technology enables you to control the camera's onscreen display (OSD) from your web browser and the Alibi CMS or smartphone app.

- + **Multi-Megapixel Resolution Video** – 2MP resolution allows you to capture a high level of clarity and detail for most applications
- + **IP67 weatherproof housing** – this camera can handle long-term durability even among extreme weather conditions such as rain, snow, and ice.
- + **Multi-megapixel resolution** – Get more detail from your video camera. This camera captures high-resolution video footage that delivers crisp, precise detail and clarity for your video security needs.
- + **Full Frame Illumination with Smart IR** Smart full-frame illumination technology offers several advantages over standard IR for flawless night vision, including:
 - Clearer, brighter images in low light and at night
 - Reduces overexposure of the IR LEDs at the center of the image
 - Increases illuminant efficiency up to 30%
 - Produces LED light in rectangle form to better fit screen size
 - Captures images up to 131 feet in the dark without washing out the subject at closer ranges
 - Reduces video noise for a clearer nighttime picture and reduces bandwidth consumption and video storage requirements

SPECIFICATIONS

SENSOR

Pixel	2MP
Size	1/2.9"
Minimum illumination	0.005 lux (F1.6, AGC ON) 0 lux (IR ON)

LENS

Lens	2.8mm	4.0mm
Lens mount	M12	
Angle of view	H: 101.5° V: 56.9° D: 117.4°	H: 83.8° V: 42.7° D: 100.1°

ILLUMINATOR

Illuminator	Two IR illuminators
Illumination distance	40m
Lifetime	≥60,000 hours

VIDEO

Resolution	1080P: 1920(H)×1080(V) 720P: 1280(H) ×720(V)
Frame rate	TVI/AHD/CVI: 1080P@25fps (default), 1080P@30fps; 720P@25fps, 720P@30fps CVBS: PAL, NTSC
Shutter time	PAL: 1/25s-1/50000s NTSC: 1/30s-1/50000s

IMAGE

Exposure mode	Four modes: Global (default), BLC, HLC, DWDR
Day/Night	Three modes: Auto (default), Day, Night
Digital noise reduction	2D/3D
White balance	Two modes: Auto (default), Manual
WDR	DWDR
Smart IR	Support
Flip	Supports 180° horizontal flip, 180° vertical flip
Defog	Digital Defog

AUDIO

Microphone	Built-in Mic
Camera audio	TVI: 1080P@25fps, 1080P@30fps CVI: 1080P@25fps, 1080P@30fps

INTERFACE

Power	5.5mm power interface
Video output	BNC, supports TVI/AHD/CVI/CVBS

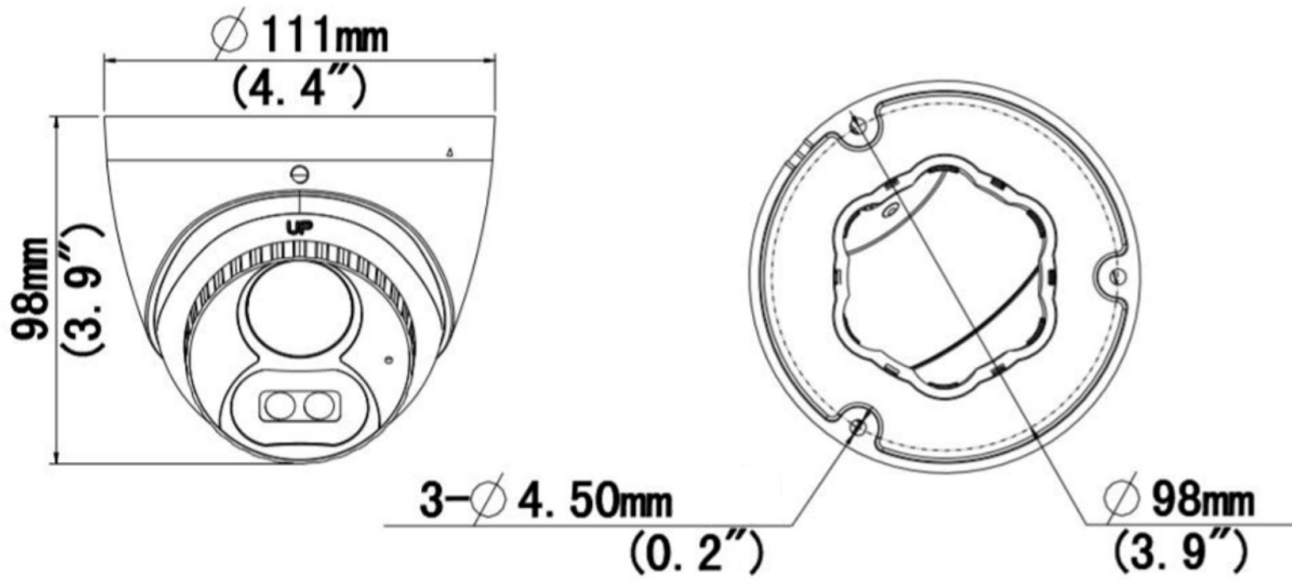
OPERATING ENVIRONMENT

Temperature	-30°C to 60°C (-22°F to 140°F)
Humidity	≤95% (RH, non-condensing)
Surge protection	4kV
Ingress protection	IP67

GENERAL

Power	DC 12V (±25%), with reverse polarity protection, Max 3.2W
Mount	Surface mount (default), optional backbox, wall mount bracket
Dimensions	111mm*98mm (diameter*height)
Material	Metal+Plastic
Weight	334g (0.74lb)
Certification	CE, FCC, UL

DIMENSIONS



UAC-T122-AF28(40)LM