



VIGILANT PERFORMANCE SERIES



ALIBI VIGILANT PERFORMANCE 16MP 164' IR IP STARLIGHT PANORAMIC NETWORK CAMERA

Key Specifications:

- + 16.0 megapixel progressive scan CMOS
- + 4 x 2.8 mm lens with 180° FOV
- + 4800*2688@30fps in the main stream offers 16:9 ratio to better fit the screen
- + Smart IR, up to 164 ft IR distance
- + DWDR
- + Audio-Alarm I/O
- + microSD card slot, up to 256GB
- + ANR Network Storage
- + ONVIF (Profile S, G, Profile T)
- + IP67 weather-resistant
- + Ultra H.265 compression
- + Intelligent temperature control technology

The Alibi Security Vigilant Performance Series 16MP IP Panoramic Security Camera delivers crisp video day or night. This high-resolution network camera offers an IP weather-resistant rating, long-range 164' IR Starlight technology.

+ **16MP Crystal-Clear Resolution Video** - 16.0 megapixel camera captures an extremely high-level picture quality for nearly all applications. Users can enjoy and ensure a crystal-clear recording and live-view when reviewing footage, ensuring instances are clearly captured.

+ **3D Digital Noise Reduction (DNR)** - Get exceptional video image quality with less noise. 3D Digital Noise Reduction (3D-DNR). 3D-DNR incorporates frame-to-frame noise reduction with spatial noise reduction to produce clear video images with less noise in low light conditions.

+ Smart Analytics include:

- Motion Detection
- Intrusion Detection
- Cross Line Detection
- Object moving
- Object Left
- Defocus
- Scene Change
- Audio Detection
- Tampering Alarm
- People Counting

+ **IP67 weatherproof housing** - this camera has a wide temperature range of -40° to 158°F - delivering long-term durability even among extreme weather conditions such as rain, snow, and ice.

SPECIFICATIONS

CAMERA

Sensor	1/1.8" progressive scan, 4.0 megapixel, CMOS
Min. Illumination	Color: 0.001lux (F1.6,AGC ON) 0lux with IR
Day/Night	IR-cut filter with auto switch (ICR)
Shutter	Auto/Manual, shutter time: 1 s - 1/100000 s
WDR	Digital WDR
S/N	>56dB

LENS

Lens	4 × 2.8mm lens
Iris	F1.6
Field of View (H)	180°
Field of View (V)	90°
Field of View (D)	221.4°

DORI DISTANCE

Lens (mm)	2.8
Detect (m)	63.0(206.7ft)
Observe (m)	25.2(82.7ft)
Recognize (m)	12.6(41.3ft)
Identify (m)	6.3(20.7ft)

ILLUMINATOR

IR Range	Up to 50m (164ft) IR range
Wavelength	850nm
IR On/Off Control	Auto/Manual

VIDEO

Video Compression	Ultra 265, H.265, H.264, MJPEG
Frame Rate	Main Stream: 4800×2688:Max. 30 fps; Sub Stream: 2688×1520:Max. 30 fps; Third Stream: 1280×720: Max. 30 fps;
Video Bit Rate	128 Kbps-16 Mbps
ROI	Up to 8 areas
Video stream	Triple streams
OSD	Up to 8 OSDs
Privacy Mask	Up to 8 areas(8 blacks/8 mosaics)

IMAGE

White Balance	Auto/Outdoor/Fine Tune/Sodium Lamp/Locked/Auto2
Digital noise reduction	2D/3D DNR
Smart IR	Support
Flip	Normal/Flip Vertical/Flip Horizontal/180°
HLC	Support
BLC	Support
Defog	Digital Defog

EVENTS

General Function	Watermark, IP Address Filtering, Tampering Alarm, Alarm input, Alarm output, Access Policy, ARP Protection, RTSP Authentication, User Authentication
------------------	--

AUDIO

Audio Compression	G.711U, G.711A
Two-way Audio	Supported
Suppression	Supported
Sampling Rate	8KHz

STORAGE

Edge Storage	Micro SD, up to 256 GB
Network Storage	ANR,NAS(NFS)

NETWORK

Protocols	IPv4, IGMP, ICMP, ARP, TCP, UDP, DHCP, PPPoE, RTP, RTSP, RTCP, DNS, DDNS, NTP, FTP, UPnP, HTTP, HTTPS, SMTP, 802.1x, SNMP, QoS, RTMP
Compatible Integration	ONVIF (Profile S, Profile G, Profile T), API
Client	Alibi Vigilant CMS Alibi Vigilant Toolbox Alibi Vigilant Mobile
Web Browser	Plug-in required live view: IE9+, Chrome 41 and below, Firefox 52 and below

INTERFACE

Audio I/O	Audio cable 1 Input: impedance 35kΩ; amplitude 2V [p-p] 1 output: impedance 600Ω; amplitude 2V [p-p]
Alarm I/O	2/1
Network	10M/100M/1000M Base-TX Ethernet

SPECIFICATIONS

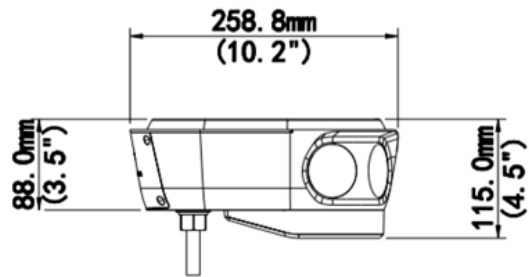
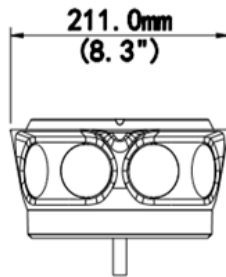
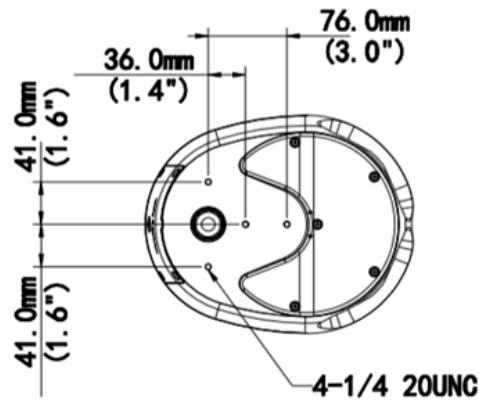
CERTIFICATION

EMC	CE-EMC (EN 55032: 2015+A1:2020,EN 61000-3-3: 2013+A1: 2019,EN IEC 61000-3-2: 2019+A1: 2021,EN 55035: 2017+A11:2020) FCC (FCC CFR 47 part15 B, ANSI C63.4-2014)
Safety	CE LVD (EN 62368-1:2014+A11:2017) CB (IEC 62368-1:2014) UL (UL 62368-1, 2nd Ed., Issue Date: 2014-12-01)
Environment	CE-RoHS (2011/65/EU;(EU)2015/863); WEEE (2012/19/EU); Reach (Regulation (EC) No 1907/2006)
Protection	IP67 (IEC 60529:1989+AMD1:1999+AMD2:2013)

GENERAL

Power	AC24V±25%/DC24V±25%, PoE (IEEE 802.3at) Power consumption: Max 34W
Dimensions (Ø x H)	258.8mmx211.0mmx115.0mm (10.2" x 8.3" x 4.5")
Weight	2.271kg(5.01lb)
Working Environment	-40°C - +70°C (-40°F - 158°F), Humidity: ≤95%RH RH(non-condensing)
Storage Environment	-40°C - +70°C (-40°F - 158°F), Humidity: ≤95%RH RH(non-condensing)
surge protection	6KV

DIMENSIONS



COMPATIBLE BRACKETS



Indoor/Outdoor Multi-Sensor Panoramic Network Pendant Mount



Junction Box for Bullet Cameras



Bullet & Dome Corner Mounting Bracket



Pole Mount Adapter for Bullet Cameras



Pole Mount



Indoor/Outdoor OmniView Network 2D Bracket Mount



Indoor/Outdoor Multi-Sensor Panoramic Network Wall Mount