



VIGILANT PERFORMANCE SERIES



ALIBI VIGILANT PERFORMANCE 2MP STARLIGHT 33X 492 FEET IR IP PTZ DOME CAMERA

This PTZ dome camera comes with a motorized auto focus lens, Starlight technology, and extreme long-range IR, making it the ideal indoor and outdoor surveillance of your home or business

Key Features:

- + 2MP high resolution
- + 1/2.8" progressive scan CMOS
- + 1920 x 1080 @ 60fps
- + 33X Optical Zoom (16X Digital), 4.5-148.5mm automatic focusing and a motorized zoom lens
Detects up to 239 ft. @ 4.5 mm
- + Detects up to 7178 ft. @ 148.5 mm
- + 33X optical zoom
- + Up to 492 feet Smart IR, Colour 0.001Lux, 0 Lux with IR
- + 120dB True WDR
- + Alarm 2 in and 1 out, Audio 1 in and 1 out
- + microSD card slot up to 256GB
- + ANR, NAS(NFS) Network Storage
- + ONVIF (Profile S, G, Profile T), API
- + Meets NDAA federal government compliance requirements
- + IP66 weather-resistant

- + **Multi-Megapixel Resolution Video** - 2MP resolution provides exceptional clarity and detail for most applications
- + **PTZ design for precise footage** - pan, zoom, and tilt to cover a larger area and capture more detail with less equipment: Pan & Tilt Pan Range 360° (endless); Pan Speed 0.1°/s - 240°/s; Preset speed: 300°/s Tilt Range -15° - 90° (auto-reverse); Tilt Speed 0.1° - 160°/s; Preset speed: 240°/s; Number of Presets: 1024; Patrol Preset patrol, route patrol, recorded patrol
- + **Starlight Technology** - Starlight technology chipset uses ambient light sources to capture color video in extreme low light conditions. This PTZ has a Sodium Lamp mode for environments using HPS/Sodium lighting. (Yellow-Orange light)
- + **Better Images** - IR anti-reflection window increases infrared transmittance, and 3D Digital Noise Reduction helps with pixel capture and produces cleaner video.
- + **Easy management** - an intuitive interface and access to the free Vigilant Mobile App and Vigilant CMS makes management more straightforward than ever.

Smart Analytics Supported:

- + Motion Detection
- + Tampering
- + Face Detection
- + Intrusion Detection
- + Cross Line Detection
- + Audio Detection
- + Enter Area/Leave Area

DRIVER
TECHNOLOGY

Driver Technology
(601) 497-3450

<https://drivertechnology.alibidealer.com>

SPECIFICATIONS

CAMERA

Sensor	1/2.8", 2.0 megapixel, progressive scan, CMOS
Lens	4.5 - 148.5mm, AF automatic focusing and motorized zoom lens
Digital Zoom	16
Optical Zoom	33
Iris	Auto; F1.5 - F4.0
Angle of View (H)	56.2° - 2.6°
Angle of View (V)	33.5° - 1.4°
Angle of View (O)	65.4° - 3.0°
Shutter	Auto/Manual, 1 - 1/100000s
Min. Illumination	Colour: 0.001 Lux (F1.5, AGC ON) 0 Lux with IR
WDR	120dB
Day/Night	IR-cut filter with auto switch (ICR)
S/N	>52dB
IR Range	Up to 150m (492 ft) IR range
Wavelength	850nm
IR On/Off Control	Auto/Manual
Defog	Digital Defog

VIDEO

Video Compression	Ultra 265, H.265, H.264, MJPEG
Frame Rate	Main Stream: 2MP(1920*1080), Max 60fps; Sub Stream: 2MP (1920*1080), Max 60fps; Third Stream: D1 (720*576), Max 60fps; Fourth Stream: D1 (720*576), Max 60fps; Fifth Stream: D1 (720*576), Max 60fps;
Video Bit Rate	128 Kbps-16 Mbps
ROI	Supported
Video stream	Five streams
OSD	Up to 8 OSDs
Privacy Mask	Up to 24 areas
Privacy Mask	Up to 24 areas
ROI	Up to 8 areas
Motion Detection	Up to 4 areas

IMAGE

White Balance	Auto/Outdoor/Fine Tune/Sodium Lamp/Locked/Auto2
Digital noise reduction	2D/3D DNR
Smart IR	Support
Flip	Normal/Flip Vertical/Flip Horizontal/180°/90°Clockwise/90°Anti-clockwise
HLC	Support
BLC	Support

SMART

Behavior Detection	Support false alarm filtering: Line crossing detection, Intrusion detection, Region entrance detection, Region exit detection; Motion detection;
Recognition	Face capture, Audio detection
General Function	Watermark, IP Address Filtering, Tampering Alarm, Alarm input, Alarm output, Access Policy, ARP Protection, RTSP Authentication, User Authentication

AUDIO

Audio Compression	G.711U,G.711A
Two-way Audio	Supported
Suppression	Supported
Sampling Rate	8KHZ

STORAGE

Edge Storage	Micro SD, up to 256 GB
Network Storage	ANR,NAS(NFS)

NETWORK

Protocols	IPv4, IGMP, ICMP, ARP, TCP, UDP, DHCP, PPPoE, RTP, RTSP, RTCP, DNS, DDNS, NTP, FTP, UPnP, HTTP, HTTPS, SMTP, 802.1x, SNMP, QoS, RTMP
Compatible Integration	ONVIF (Profile S, Profile G, Profile T), API
Client	Alibi Vigilant CMS Alibi Vigilant Toolbox Alibi Vigilant Mobile
Web Browser	Plug-in required live view: IE9+, Chrome 41 and below, Firefox 52 and below

PAN & TILT

Pan Range	360° (endless)
Pan Speed	0.1°/s - 240°/s Preset speed: 300°/s
Tilt Range	-15° - 90° (auto reverse)
Tilt Speed	0.1° - 160°/s Preset speed: 240°/s
Number of Presets	1024
Patrol	Preset patrol, route patrol, recorded patrol
Home Position	Supported

SPECIFICATIONS

INTERFACE

Audio I/O	Audio cable 1 Input: impedance 35kΩ; amplitude 2V *p-p] 1 output: impedance 600Ω; amplitude 2V *p-p]
Alarm I/O	2/1
Serial Port	1 RS485
Network	1 * RJ45 10M/100M Base-TX Ethernet
Video Output	1 BNC, impedance 75Ω; amplitude 1V [p-p]

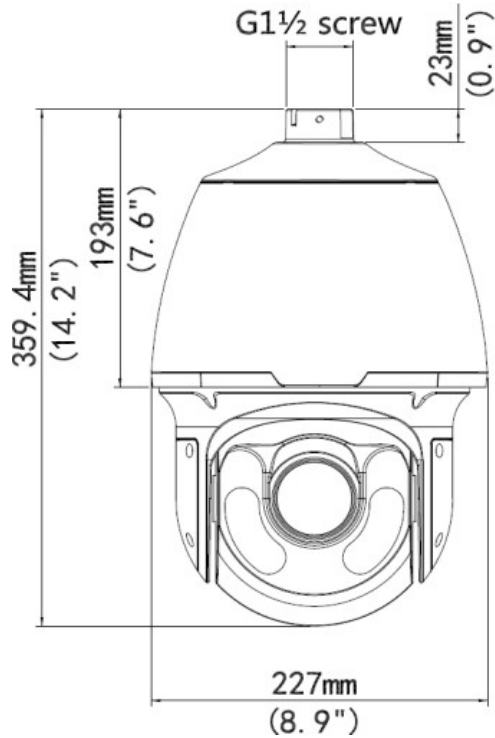
CERTIFICATION

Certifications	IEC 62368-1 UL 60950-1 FCC Part 15 EN 55032:2015 EN 55024:2010 EN 61000-3-2:2014 EN 61000-3-3-2013
----------------	--

GENERAL

Power	AC 24V±25%, DC 24V±25%, PoE (PSE Required) Power consumption: Max 48W
Dimensions (Ø x H)	Ø227 x 359.4mm (Ø8.9" x 14.2")
Weight	5.3kg(11.68lb)
Working Environment	-40°F - 149°F, ≤95%RH
Storage Environment	-40°F - 158°F, ≤95%RH
Surge protection	6KV
Vandal Resistant	N/A
Ingress Protection	IP66

DIMENSIONS



PTZ Dome Indoor/
Outdoor Pendant
Mount



PTZ Dome Indoor/
Outdoor 12-inch
Junction Box



PTZ Dome Indoor/
Outdoor Pendant
Mount



PTZ Dome Indoor/
Outdoor Pendant
Mount



Indoor/Outdoor PTZ
Dome Corner Mount



Indoor/Outdoor PTZ
Dome Pole Mount
Adapter



Indoor PTZ Dome
Pendant Mount



Indoor/Outdoor PTZ
Dome Pole Mount
Adapter



Indoor/Outdoor PTZ
Dome Pole Mount
Adapter



PTZ Dome Indoor/
Outdoor Wall Mount



PTZ Dome Indoor/
Outdoor Wall Mount



Parapet Wall Bracket
Mount