



VIGILANT PERFORMANCE SERIES



ALIBI VIGILANT PERFORMANCE SERIES 5MP IP VANDAL-RESISTANT FISHEYE DOME CAMERA

Key Specifications:

- + 5MP IP Fisheye dome security camera
- + 1.4mm lens with 360 degree field of view
- + 33 feet Smart IR Distance
- + Starlight chipset (0.01 lux) for color in low light
- + Built-in two microphone support
- + MicroSD slot - up to 256GB
- + 11 display modes based on installation
- + 1/1 Alarm in/out; 1/1 audio in/out
- + 120dB WDR
- + ANR Network Storage
- + IK10 vandal-resistant housing design
- + IP66 temperature rating
- + NDAA compliant

The Alibi Vigilant Performance Series, 5MP Fisheye Dome Security Camera delivers ultra-wide 360 degrees coverage and allows you flexibility in displaying video based on the installation. This rugged camera protects against extreme weather conditions and vandalism.

This product has been specifically designed and manufactured to comply with the latest technical requirements specified under NDAA regulations.

Multi-megapixel resolution - Get more detail from your video camera. This camera captures multi-megapixel resolution video footage that delivers crisp, precise detail and clarity for your video security needs.

+ **3D Digital Noise Reduction (DNR)** - Get exceptional video image quality with less noise. 3D Digital Noise Reduction (3D-DNR). 3D-DNR incorporates frame-to-frame noise reduction with spatial noise reduction to produce clear video images with less noise in low light conditions.

+ Smart Analytics includes:

- Motion Detection
- Tampering Alarm
- Audio Detection
- Heat Map

+ **IP66 weatherproof housing** this bullet camera has a wide temperature range of -40 degrees to 140 degrees Fahrenheit - delivering long-term durability even among extreme weather conditions such as rain, snow, and ice.

+ **IK10 vandal-resistant** - durable design for around-the-clock surveillance. Built for high resistance to impact, the metal encased design of this vandal dome camera is unmatched by anything on the market -making it a safe and secure camera for years to come.

+ **Ultra H.265 Compression** - reduce bandwidth and storage requirements. With Ultra H.265 compression technology, you can store more information using less hard drive space. Ultra H.265 also helps you minimize bandwidth requirements for high-resolution video and makes the remote viewing less demanding on the recorder.

SPECIFICATIONS

CAMERA

Image sensor	1/2.8", progressive scan, 5.0 megapixel, CMOS
Minimum Illumination	Colour: 0.01 Lux (F2.0, AGC ON) 0 Lux with IR
Day/Night	IR-cut filter for day & night function
Shutter	Auto/Manual, shutter time: 1-1/100000 s
WDR	120dB
S/N	>55dB

LENS

Lens type	1.4mm@F2.0
Angle of View	360°

DORI

Lens	1.4mm
Detect (m)	31.5
Observe (m)	12.6
Recognize (m)	6.3
Identify (m)	3.2

ILLUMINATOR

IR Range	UP to 10m (33ft)
wavelength	850nm
IR On/Off Control	Auto/Manual

VIDEO

Compression	Ultra 265, H.265, H.264, MJPEG
H.264 code profile	Baseline profile, Main Profile, High Profile
Frame Rate	Main Stream: 5MP (2592*1944): Max.30fps; Sub Stream: 1080P (1920*1080): Max.30fps; 720P (1280*720), Max 30fps; Third Stream: D1 (720*576), Max 30fps; 640*360,Max 30fps; 2CIF(704*288), Max 30fps; CIF(352*288), Max 30fps;
Video Bit Rate	128 Kbps-16 Mbps
U-code	Support
ROI	Up to 8 areas
Video Stream	Triple streams
OSD	Up to 8 OSDs
Privacy Mask	Up to 4 areas

IMAGE

White Balance	Auto/Outdoor/Fine Tune/Sodium Lamp/Locked/Auto2
Image Setting	Image rotation, brightness, saturation, contrast, sharpness, gain adjustable by web browser
Digital noise reduction	2D/3D DNR
Smart IR	Support
Flip	Normal/Flip Vertical/ Flip Horizontal/180°
Dewarping	N/A
HLC	N/A
BLC	Support
Defog	Digital Defog

AUDIO

Audio Compression	G.711
Audio Bitrate	64 Kbps
Two-way audio	Supported
Suppression	Supported
Sampling Rate	8 KHZ

STORAGE

Edge Storage	Micro SD, up to 256GB
Network Storage	ANR, NAS(NFS)

NETWORK

Protocols	IPv4, IGMP, ICMP, ARP, TCP, UDP, DHCP, PPPoE, RTP, RTSP, RTCP, DNS, DDNS, NTP, FTP, UPnP, HTTP, HTTPS, SMTP, 802.1x, SNMP, QoS, RTMP, SSH
Compatible Integration	ONVIF (Profile S, Profile G, Profile T), API,SDK
User/Host	Up to 32 users. 2 user levels: administrator and common user
Security	Password protection, Strong password, HTTPS encryption, Export operation logs, Basic and digest authentication for RTSP, Digest authentication for HTTP, TLS 1.2, WSSE and digest authentication for ONVIF
Client	Alibi Vigilant CMS Alibi Vigilant Toolbox Alibi Vigilant Mobile
Web Browser	Plug-in required live view: IE9+, Chrome 41 and below, Firefox 52 and below Plug-in free live view: Chrome 57.0+, Firefox 58.0+, Edge 16+

SPECIFICATIONS

LIVE VIEW DISPLAY

Mount Type	Support table, wall, and ceiling
Decoding Mode	Support software decoding
Display Mode	11 display modes in total Software decoding: Ceiling mount: fisheye view, 360°Panoramic+1PTZ, 180°Panoramic, Fisheye+3PTZ, Fisheye+4PTZ, 360°Panoramic+6PTZ, Fisheye+8PTZ Wall mount: fisheye view, Panoramic, Panoramic+3PTZ, Panoramic+4PTZ, Panoramic+8PTZ Table mount: fisheye view, 360°Panoramic+1PTZ, 180°Panoramic, Fisheye+3PTZ, Fisheye+4PTZ, 360°Panoramic+6PTZ, Fisheye+8PTZ

INTERFACE

Audio I/O	Input: impedance 35 kΩ; amplitude 2 V [p-p] Output: impedance 600 Ω; amplitude 2 V [p-p]
Alarm I/O	1/1
RS485	N/A
Built-in Mic	Supported 2
Built-in Speaker	N/A
WIFI	N/A
Network	1 RJ45 10M/100M Base-TX Auto-adaptive Ethernet
Video Output	N/A

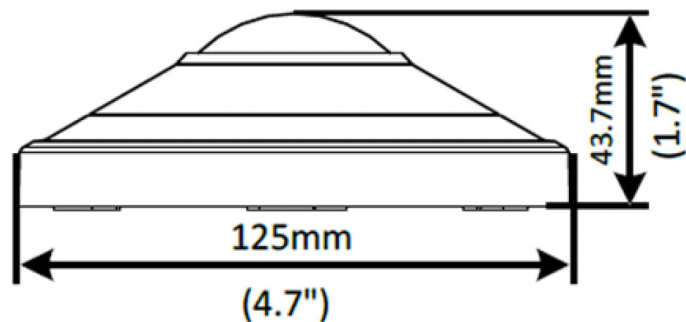
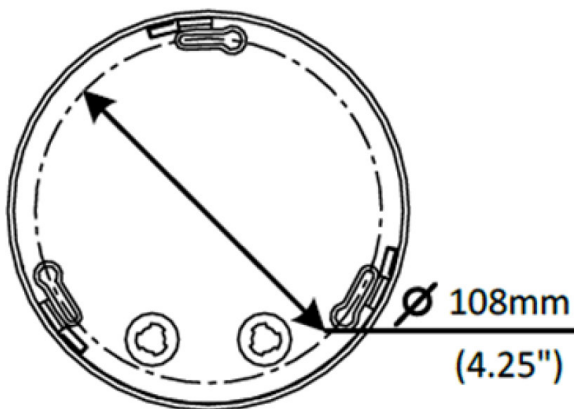
GENERAL

Power	DC12V±25%,PoE (IEEE 802.3af) Power consumption: Max. 8.5W
Power Interface	Ø 5.5mm coaxial power plug
Dimensions	125 × 43.7 mm (4.9" × 1.7")
Weight	0.36kg (0.79lb)
Material	Metal + Plastic
Working Environment	-30°C - 60°C (-22°F - 140°F), Humidity: ≤95% RH (non-condensing)
Storage Environment	-30°C - 60°C (-22°F - 140°F), Humidity: ≤95% RH (non-condensing)
surge protection	4KV
Reset Button	Supported
Protection	Ingression protection: IP66 Vandal resistant: IK10

CERTIFICATIONS

EMC	FCC CFR 47 Part 15 EN 55032:2015 EN 55024:2010 EN 61000-3-2:2014 EN 61000-3-3-2013
Safety	IEC 62368-1 EN 62368-1 UL 62368-1
Environment	CE-ROHS (2011/65/EU;(EU)2015/863); WEEE (2012/19/EU); REACH (Regulation (EC) No 1907/2006)

DIMENSIONS



COMPATIBLE BRACKETS



Junction Box
Waterproof Joint



Fixed Dome Indoor
Pendent Mount



Fixed Dome and Fisheye
Junction Box



Fixed Dome Outdoor Wall
Mount with Junction Box



Fixed Dome Indoor/
Outdoor Pendent Mount



Fixed Dome Indoor/
Outdoor Pendent Mount



Bullet & Dome Corner
Mounting Bracket



Pole Mount



3-inch Fixed Dome Indoor
Wall Mount