



VIGILANT PERFORMANCE SERIES



## ALIBI VIGILANT PERFORMANCE SERIES 8MP SMARTSENSE STARLIGHT IP FIXED DOME CAMERA WITH BUILT-IN MIC, AUDIO/ALARM

### Key Specifications:

- + 8MP IP Dome Security Camera
- + 2.8mm fixed lens with 113 degrees Field of View
- + 98 feet Smart IR Distance
- + Starlight chipset (.003 lux) for color in low light
- + NDA Compliant
- + 1/1 Alarm in/out; 1/1 audio in/out
- + Built-in microphone support
- + 3D Digital Noise Reduction (DNR)
- + 120 db True Wide Dynamic Range (WDR)
- + MicroSD card slot - up to 256GB
- + IP67 weather resistant rating
- + IK10 vandal resistant housing design

The Alibi Vigilant Performance Series security camera delivers high-resolution video capture and has been specifically designed and manufactured to comply with the latest technical requirements specified under NDA regulations.

- + **Multi-megapixel resolution** - get more detail from your video camera - 8MP camera captures crisp, high definition video at day and night. This camera captures multi-megapixel resolution video footage that delivers crisp, clear detail and clarity for your video security needs.
- + **Capture Color Video in Low Light Conditions** - Starlight technology chipset uses ambient light sources to capture color videos in extreme low light conditions.
- + **IP67 Rated for Superior Outdoor Performance** - With an IP67 weather-rated metal enclosure, this camera has a wide temperature range of -22 degrees to 140 degrees Fahrenheit - offering long-term durability even among extreme weather conditions such as rain, snow, and ice.
- + **3D Digital Noise Reduction (DNR)** effectively filters noise to produce a more crisp, clear video stream.
- + **IK10** vandalproof rating for tamper-proof installations

**Smart Analytics Supported** - this camera is equipped with state-of-the-art analytics to help you setup event-based triggers and alerts so your security solution is effective and smart. Analytics include:

- + Motion
- + Tampering
- + Intrusion
- + Cross Line
- + Enter/Leave Area
- + Audio Detection
- + Face Capture

# SPECIFICATIONS

## CAMERA

Sensor	1/2.7", 8.0 megapixel, progressive scan, CMOS	
Lens	2.8mm@F1.6	4.0mm@F1.6
Angle of View (H)	112.9°	91.2°
Angle of View (V)	51.9°	47.9°
Angle of View (O)	121.2°	95.9°
Adjustment angle	Pan: 3° - 360° Tilt: 0° - 68° Rotate: 3° - 360°	
Shutter	Auto/Manual, 1 - 1/1000000s	
Minimum Illumination	Colour: 0.003Lux (F1.6, AGC ON) 0Lux with IR	
Day/Night	IR-cut filter with auto switch (ICR)	
Digital Noise Reduction	2D/3D DNR	
S/N	>56dB	
IR Range	Up to 30m (98ft) IR range	
Wavelength	850nm	
IR On/Off Control	Auto/Manual	
Defog	Digital Defog	
WDR	120dB	

## DORI

Lens (mm)	2.8	4.0
Detect (m)	84.0	120.0
Observe (m)	33.6	48.0
Recognize (m)	16.8	24.0
Identify (m)	8.4	12.0

## VIDEO

Video Compression	Ultra 265, H.265, H.264, MJPEG
H.264 code profile	Baseline profile, Main profile, High profile
Frame Rate	Main Stream: 8MP (3840*2160), Max 20fps; 5MP (3072*1728), Max 30fps; 4MP (2560*1440), Max 30fps; 1080P (1920*1080), Max 30fps; Sub Stream: 1080P (1920*1080), Max 30fps; 720P (1280*720), Max 30fps; D1 (720*576), Max 30fps; 640*360, Max 30fps; 2CIF(704*288), Max 30fps; CIF(352*288), Max 30fps; Third Stream: D1 (720*576), Max 30fps; 640*360, Max 30fps; 2CIF(704*288), Max 30fps; CIF(352*288), Max 30fps;
Video Bit Rate	128 Kbps-16 Mbps
OSD	Up to 8 OSDs
Privacy Mask	Up to 4 areas
ROI	Up to 8 areas
Motion Detection	Up to 4 areas

## IMAGE

White Balance	Auto/Outdoor/Fine Tune/Sodium Lamp/Locked/Auto2
Smart IR	Support
Flip	Normal/Vertical/Horizontal/180°/90° Clockwise/90° Anti-clockwise
Dewarping	Supported
HLC	Supported
BLC	Supported

## AUDIO

Audio Compression	G.711
Two-way audio	Supported
Suppression	Supported
Sampling Rate	8KHZ

## STORAGE

Edge Storage	Micro SD, up to 256GB
Network Storage	ANR

## INTELLIGENT

Smart Intrusion Prevention	Cross line, intrusion, enter area, leave area detection
Recognition	Face capture;

## EVENTS

Basic Detection	Motion detection, tampering alarm, audio detection
General Function	Watermark, IP address filtering, tampering alarm, alarm input, alarm output, access Policy, ARP protection, RTSP authentication, user authentication

# SPECIFICATIONS

## NETWORK

Protocols	IPv4, IGMP, ICMP, ARP, TCP, UDP, DHCP, RTP, RTSP, RTCP, DNS, DDNS, NTP, FTP, UPnP, HTTP, SNMP HTTPS, SMTP, SSL
Compatible Integration	ONVIF (Profile S, Profile G, Profile T), API
Client	Alibi Vigilant CMS Alibi Vigilant Toolbox Alibi Vigilant Mobile
Web Browser	Plug-in required live view: IE9+, Chrome 41 and below, Firefox 52 and below Plug-in free live view: Chrome 57.0+, Firefox 58.0+, Edge 16+, Safari 11+

## INTERFACE

Audio I/O	Input: impedance 35kΩ; amplitude 2V [p-p] Output: impedance 600Ω; amplitude 2V [p-p]
Alarm I/O	1/1
Built-in Mic	Supported
Network	1 RJ45 10M/100M Base-TX Ethernet

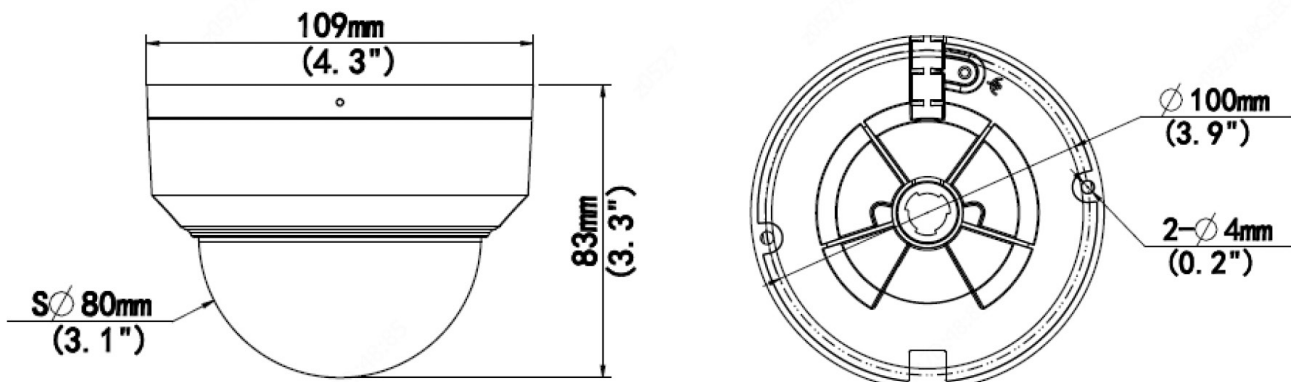
## CERTIFICATIONS

CE: EN 60950-1  
UL: UL60950-1  
FCC: FCC Part 15

## GENERAL

Power	DC 12V±25%, PoE (IEEE 802.3af) Power consumption: Max 6.0W
Dimensions (Ø x H)	109 x 83mm (Ø4.3" x 3.3")
Net Weight	0.43kg ( 0.95lb)
Material	Metal
Working Environment	-30°C - 60°C (-22°F - 140°F), Humidity: ≤95% RH (non-condensing)
Storage Environment	-30°C - 60°C (-22°F - 140°F), Humidity: ≤95% RH (non-condensing)
Surge Protection	4KV
Ingress Protection	IP67
Vandal Resistant	IK10
Reset Button	N/A

# DIMENSIONS



# COMPATIBLE BRACKETS



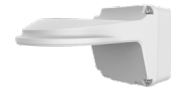
Junction Box  
Waterproof Joint



Fixed Dome Indoor Pendant  
Mount



Fixed Dome  
Junction Box



Fixed Dome Outdoor Wall Mount  
with Junction Box



Fixed Dome Indoor/Outdoor  
Pendant Mount



PTZ Dome Indoor/Outdoor  
Pendant Mount



3in Electric-box Transfer Plate  
for Fixed Lens Camera



3in Electric-box Transfer Plate  
for Fixed Lens Camera (wide  
base)



Bullet & Dome Corner Mounting  
Bracket



Fixed Dome  
Indoor Incline Mount



Pole Mount



4-inch Fixed Dome  
Indoor Wall Mount