



VIGILANT FLEX SERIES



ALIBI VIGILANT FLEX SERIES 8MP STARLIGHT VANDAL RESISTANT IP FIXED DOME CAMERA WITH BUILT-IN MICROPHONE

Key Specifications:

- + 8MP IP fixed dome camera
- + 2.8 fixed lens with 113 degree Field of View
- + 98 feet long range Smart IR Distance
- + Starlight chipset (.005 lux) for color in low light
- + NDAA compliant
- + Built-in microphone
- + MicroSD card slot - up to 256GB
- + 120db True Wide Dynamic Range (WDR)
- + IP67 rating to handle a wide variety of temperatures
- + IK10 vandal resistant housing design
- + **NDAA Compliant Security** - This security camera delivers high-resolution, crisp video at day or night and has been specifically designed and manufactured to comply with the latest technical requirements specified under NDAA regulations.
- + **Multi-Megapixel Resolution Video** - this camera captures ultra-high definition video during the day and at night for ultra-crisp and clear footage.
- + **Capture Color Video at Night** - Starlight technology chipset uses ambient light sources to capture color video footage in extreme low light conditions.
- + **Superior Outdoor IP67 weatherproof housing** - With an IP67 weather-rated metal enclosure, this dome camera has a wide temperature range of -22 degrees to 140 degrees Fahrenheit - offering long-term durability even among extreme weather conditions such as rain, snow, and ice.
- + **3D Digital Noise Reduction (DNR)** effectively filters noise to produce a more crisp, clear video stream.
- + **IK10** vandalproof rating for tamper-proof installations
- + **Plug-in free live view:** Chrome 57.0+, Firefox 58.0+, Edge 16+, Safari 11+
- + **Ultra H.265 Compression** - reduce bandwidth and storage requirements. Smore information using less hard drive space. Ultra H.265 also helps you minimize bandwidth requirements for high-resolution video and makes remote viewing less demanding on the recorder.
- + **Intuitive interface** - everything you need to manage your system at your fingertips. With an intuitive interface, along with access to the free Vigilant Mobile App and Viligant CMS, system management has never been simpler.

DRIVER
TECHNOLOGY

Driver Technology
(601) 497-3450

<https://drivertechnology.alibidealer.com>

SPECIFICATIONS

CAMERA

Sensor	1/2.7", 8.0 megapixel, progressive scan, CMOS
Minimum Illumination	Support Easystar: Colour: 0.005Lux (F1.6, AGC ON) 0Lux with IR on
Day/Night	IR-cut filter with auto switch (ICR)
Shutter	Auto/Manual, 1 - 1/100000s
Adjustment angle	Pan: 8° to 360°, Tilt: 0° to 68°, Rotate: 10° to 360°
S/N	>56dB
WDR	120dB

DORI DISTANCE

Lens (mm)	2.8mm	4.0mm
Detect (m)	84	120
Observe (m)	33.6	48
Recognize (m)	16.8	24
Identify (m)	8.4	12

VIDEO

Video Compression	Ultra 265, H.265, H.264, MJPEG
H.264 code profile	Baseline profile, Main profile, High profile
Frame Rate	Main Stream: 8MP (3840*2160), Max 20fps; 5MP (3072*1728), Max 30fps; 4MP (2560*1440), Max 30fps; 1080P (1920*1080), Max 30fps; Sub Stream: 1080P (1920*1080), Max 30fps; 720P (1280*720), Max 30fps; D1 (720*576), Max 30fps; 640*360, Max 30fps; 2CIF(704*288), Max 30fps; CIF(352*288), Max 30fps; Third Stream: D1 (720*576), Max 30fps; 640*360, Max 30fps; 2CIF(704*288), Max 30fps; CIF(352*288), Max 30fps;
Video Bit Rate	128 Kbps-16 Mbps
U-code	Supported
9:16 Corridor Mode	Supported
OSD	Up to 4 OSDs
Privacy Mask	Up to 4 areas
ROI	Up to 8 areas
Motion Detection	Up to 4 areas

ILLUMINATOR

IR Range	Up to 30m (98ft) IR range
Wavelength	850nm
IR On/Off Control	Auto/Manual

IMAGE

White Balance	Auto/Outdoor/Fine Tune/Sodium Lamp/Locked/Auto2
Image Setting	Image rotation, brightness, saturation, contrast, sharpness, gain adjustable by web browser
Digital noise reduction	2D/3D DNR
Smart IR	Supported
Flip	Normal/Vertical/Horizontal/180°/90° Clockwise/90°Anti-clockwise
Dewarping	N/A
HLC	Supported
BLC	Supported
Defog	Digital Defog

EVENTS

Basic Detection	Cross line, intrusion(based on human body detection) motion detection, tampering alarm, audio detection
General Function	Watermark, IP address filtering, access policy, ARP protection, RTSP authentication, user authentication, HTTP authentication

AUDIO

Audio Compression	G.711
Suppression	Supported
Sampling Rate	8KHZ

STORAGE

Edge Storage	Micro SD, up to 256 GB
Network Storage	ANR,NAS(NFS)

SPECIFICATIONS

NETWORK

Protocols	IPv4, IGMP, ICMP, ARP, TCP, UDP, DHCP, RTP, RTSP, RTCP, RTMP, DNS, DDNS, NTP, FTP, UPnP, HTTP, HTTPS, SMTP, SSL/TLS, 802.1x, SNMP
Compatible Integration	ONVIF (Profile S, Profile G, Profile T), API, SDK
User/Host	Up to 32 users. 2 user levels: administrator and common user
Security	Password protection, Strong password, HTTPS encryption, Export operation logs, Basic and digest authentication for RTSP, Digest authentication for HTTP, TLS 1.2, WSSE and digest authentication for ONVIF
Client	Alibi Vigilant CMS Alibi Vigilant Toolbox Alibi Vigilant Mobile
Web Browser	Plug-in required live view: IE9+, Chrome 41 and below, Firefox 52 and below Plug-in free live view: Chrome 57.0+, Firefox 58.0+, Edge 16+

INTERFACE

Network	1 * RJ45 10M/100M Base-TX Ethernet
Built-in Mic	Supported

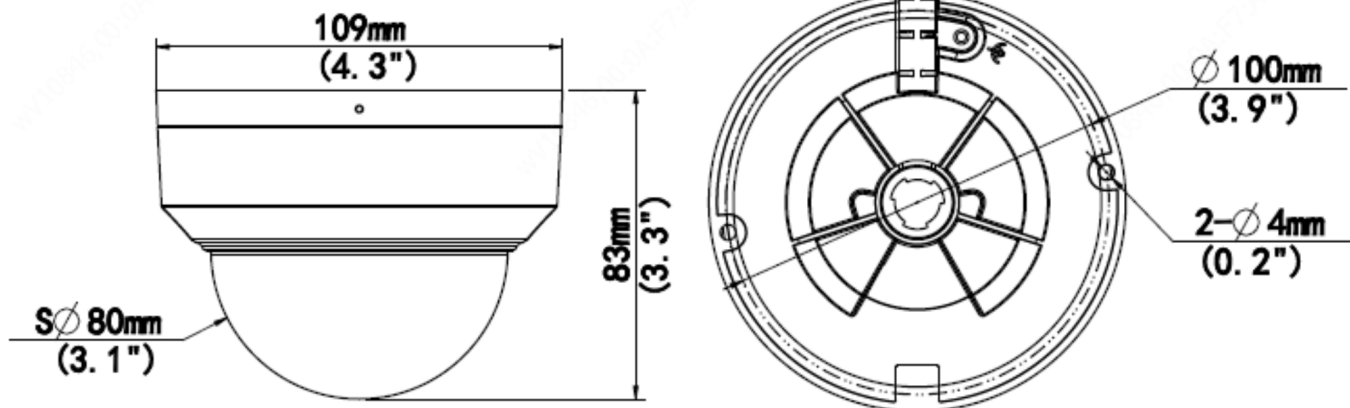
CERTIFICATION

EMC	FCC: FCC Part 15
Safety	CE: EN 60950-1 UL: UL60950-1 IEC 60950-1

GENERAL

Power	DC 12V±25%, PoE (IEEE 802.3af) Power consumption: Max 4.5W
Power Interface	Ø 5.5mm coaxial power plug
Dimensions (Ø x H)	109 x 83mm (Ø4.3" x 3.3")
Weight	0.37kg (0.82lb)
Material	Metal + Plastic
Working Environment	-30°C - 60°C (-22°F - 140°F), Humidity: ≤95% RH (non-condensing)
Storage Environment	-30°C - 60°C (-22°F - 140°F), Humidity: ≤95% RH (non-condensing)
Surge Protection	4KV
Reset Button	Supported
Ingress Protection	Ingress protection: IP67 Vandal resistant: IK10

DIMENSIONS



COMPATIBLE BRACKETS



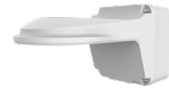
Junction Box
Waterproof Joint



Fixed Dome Indoor Pendant
Mount



Fixed Dome
Junction Box



Fixed Dome Outdoor Wall Mount
with Junction Box



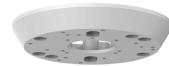
Fixed Dome Indoor/Outdoor
Pendant Mount



Fixed Dome Indoor/Outdoor
Pendant Mount



3in Electric-box Transfer Plate for
Fixed Lens Camera



3in Electric-box Transfer Plate for
Fixed Lens Camera (wide base)



Bullet & Dome Corner Mounting
Bracket



Fixed Dome
Indoor Incline Mount



Pole Mount



4-inch Fixed Dome
Indoor Wall Mount