



VIGILANT PERFORMANCE SERIES



ALIBI VIGILANT PERFORMANCE 5MP STARLIGHT 98 FEET IR IP DOME CAMERA

Key Specifications:

- + 5MP high-resolution 2880 x 1620 @ 25fps
- + 2.8mm @ F1.6
- + Smart IR up to 98 feet nighttime viewing
- + Starlight technology - Colour: 0.003Lux, 0 Lux with IR
- + Audio-Alarm I/O
- + MicroSD, up to 256GB
- + ANR Network Storage
- + ONVIF (Profile S, Profile G, Profile T), API
- + Up to 120dB true WDR (Wide Dynamic Range)
- + IK10 and IP67 rating
- + Meets NDAA federal government compliance requirements
- + One-click Cloud firmware updating

The ALIBI® Vigilant Performance Series, 5MP 98 feet IR Fixed Dome Camera delivers crisp video day or night. It also offers flexible storage solutions, with a built-in micro SD slot - enabling local storage up to 256GB.

- + **3D Digital Noise Reduction (DNR)** effectively filters noise to produce a crisper, clear video stream.
- + **IP67 weatherproof housing** - this dome camera delivers long-term durability even among extreme weather conditions such as rain, snow, and ice and has a wide temperature range of -22 degrees to 140 degrees Fahrenheit.



All American Protection

<http://www.allamericanprotection.net>



SPECIFICATIONS

CAMERA

Sensor	1/2.7", 5.0 megapixel, progressive scan, CMOS	
Lens	2.8mm@F1.6	4.0mm@F1.6
Angle of View (H)	96.1°	78.7°
Angle of View (V)	55.3°	44.9°
Angle of View (O)	111.1°	89.2°
Adjustment angle	Pan: 3° - 360° Tilt: 0° - 68° Rotate: 3° - 360°	
Shutter	Auto/Manual, 1 - 1/100000s	
Minimum Illumination	Colour:0.003 Lux (F1.6, AGC ON) OLux with IR	
Day/Night	IR-cut filter with auto switch (ICR)	
Digital Noise Reduction	2D/3D DNR	
S/N	>56dB	
IR Range	Up to 30m (98ft) IR range	
Wavelength	850nm	
IR On/Off Control	Auto/Manual	
Defog	Digital Defog	
WDR	120dB	

DORI DISTANCE

Lens (mm)	2.8	4.0
Detect (m)	63.0	90.0
Observe (m)	25.2	36.0
Recognize (m)	12.6	18.0
Identify (m)	6.3	9.0

VIDEO

Video Compression	Ultra 265, H.265, H.264, MJPEG	
H.264 code profile	Baseline profile, Main profile, High profile	
Frame Rate	Main Stream:5MP (2880*1620), Max 25fps; 4MP (2560*1440), Max 25fps; 3MP (2304*1296), Max 25fps; 1080P (1920*1080), Max 30fps; Sub Stream: D1 (720*576), Max 30fps; Third Stream: CIF (352*288), Max 30fps	
Video Bit Rate	128 Kbps-16 Mbps	
OSD	Up to 8 OSDs	
Privacy Mask	Up to 4 areas	
ROI	Up to 8 areas	
Motion Detection	Up to 4 areas	

IMAGE

White Balance	Auto/Outdoor/Fine Tune/Sodium Lamp/Locked/Auto2
Digital noise reduction	2D/3D DNR
Smart IR	Support
Flip	Normal/Vertical/Horizontal/180°/90° Clockwise/90° Anti-clockwise
Dewarping	N/A
HLC	Supported
BLC	Support

AUDIO

Audio Compression	G.711
Two-way audio	Supported
Suppression	Supported
Sampling Rate	8KHZ

STORAGE

Edge Storage	Micro SD, up to 256GB
Network Storage	ANR

NETWORK

Protocols	IPv4, IGMP, ICMP, ARP, TCP, UDP, DHCP, RTP, RTSP, RTCP, DNS, DDNS, NTP, FTP, UPnP, HTTP, HTTPS, SMTP, SSL, SNMP
Compatible Integration	ONVIF (Profile S, Profile G, Profile T), API
Client	Alibi Vigilant CMS Alibi Vigilant Toolbox Alibi Vigilant Mobile
Web Browser	Plug-in required live view: IE9+, Chrome 41 and below, Firefox 52 and below Plug-in free live view: Chrome 57.0+, Firefox 58.0+, Edge 16+, Safari 11+



All American Protection

<http://www.allamericanprotection.net>

All American Protection

BRINKS
HOME SECURITY

AUTHORIZED DEALER

956-997-8543

SPECIFICATIONS

INTERFACE

Audio I/O	Input: impedance 35kΩ; amplitude 2V [p-p] Output: impedance 600Ω; amplitude 2V [p-p]
Alarm I/O	1/1
Network	1 RJ45 10M/100M Base-TX Ethernet

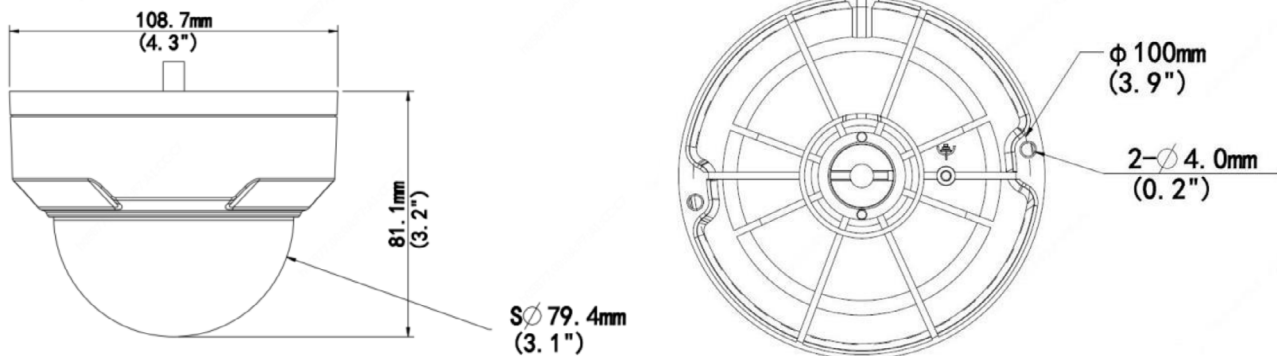
CERTIFICATIONS

Certifications	CE: EN 60950-1 UL: UL60950-1 FCC: FCC Part 15
----------------	---

GENERAL

Power	DC 12V±25%, PoE (IEEE 802.3af) Power consumption: Max 4.5W
Dimensions (Ø x H)	108.7 x 81.1mm (Ø 4.3" x 3.2")
Net Weight	0.425kg (0.93lb)
Material	Metal + Plastic
Working Environment	-30°C - 60°C (-22°F - 140°F), Humidity: ≤95% RH (non-condensing)
Storage Environment	-30°C - 60°C (-22°F - 140°F), Humidity: ≤95% RH (non-condensing)
Surge Protection	2KV
Ingress Protection	IP67
Vandal Resistant	IK10
Reset Button	Supported

DIMENSIONS



All American Protection

<http://www.allamericanprotection.net>

All American Protection

BRINKS
HOME SECURITY

AUTHORIZED
DEALER

956-997-8543