



VIGILANT PERFORMANCE SERIES



ALIBI VIGILANT FLEX SERIES 2MP STARLIGHT 98FT 4-IN-1 VANDAL-RESISTANT FIXED DOME SECURITY CAMERA

Key Specifications:

- + 2MP resolution
- + .005 Lux Rating
- + TVI/AHD/CVI/CVBS
- + Built-in Microphone for high quality audio over coax
- + 1/2.9" CMOS Sensor
- + 2.8mm lens
- + Smart IR, up to 98 ft
- + DWDR (Digital Wide Dynamic Range)
- + IP67 rating - withstands temps from -22 degrees to 140 degrees Fahrenheit
- + IK10 rating - Vandal-Resistant
- + NDAA Compliant

As part of the Alibi Vigilant Series, this 2MP 4-in-1 Fixed Dome Security Camera delivers crisp video day or night, providing HD-TVI/AHD/CVI/CVBS output for compatibility. Connect to any analog cameras on your network with one easy solution.

Protecting your home or business has never been easier - or more convenient. The 2MP HD-TVI dome security camera offers an impressive 98 feet IR - perfect for after-hours surveillance or anywhere you need to capture bright footage in dark conditions to protect your business. Whether it's 12pm or 12am, this versatile indoor/outdoor camera provides clear, crisp surveillance.

A 2.8mm wide-angle lens and Up the Coax (UTC) technology enables you to control the camera's onscreen display (OSD) from your web browser and the Alibi CMS or smartphone app.

- + **Multi-Megapixel Resolution Video** - 2MP resolution allows you to capture a high level of clarity and detail for most applications
- + **IP67 weatherproof housing** -this camera can handle long-term durability even among extreme weather conditions such as rain, snow, and ice.
- + **IK10 vandal-resistant** - durable design for around-the-clock surveillance. Built for high resistance to impact, the metal encased design of this vandal dome camera is unmatched by anything on the market -making it a safe and secure camera for years to come.
- + **Multi-megapixel resolution** - Get more detail from your video camera. This camera captures high-resolution video footage that delivers crisp, precise detail and clarity for your video security needs.
- + **Full Frame Illumination with Smart IR** Smart full-frame illumination technology offers several advantages over standard IR for flawless night vision
- + **Innovative Day/Night Scene Detection** - includes a hardware sensor for smart software imaging that detects surveillance scene illumination. Designed to be water and dust-proof, this allows you to avoid unexpected costs of hardware failure.
- + **Intuitive interface** - everything you need to manage your system at your fingertips. With an intuitive interface and access to the free Alibi CMS and mobile app, system management has never been simpler.



All American Protection

<http://www.allamericanprotection.net>

All American Protection

BRINKS HOME SECURITY

AUTHORIZED DEALER

936-997-8543

SPECIFICATIONS

SENSOR

Pixel	2MP
Size	1/2.9"
Minimum illumination	0.005 lux (F1.6, AGC ON) 0 lux (IR on)

LENS

Lens	4.0mm
Lens mount	M12
Angle of view	H: 83.8° V: 42.7° D: 100.1°

ILLUMINATOR

Illuminator	One IR illuminator
Illumination distance	30m
Lifetime	≥60,000 hours

VIDEO

Resolution	1080P: 1920(H)×1080(V) 720P: 1280(H) ×720(V)
Frame rate	TVI/AHD/CVI: 1080P@25fps (default), 1080P@30fps; 720P@25fps, 720P@30fps CVBS: PAL, NTSC
Shutter time	PAL: 1/25s-1/50000s NTSC: 1/30s-1/50000s

IMAGE

Exposure mode	Four modes: Global (default), BLC, HLC, DWDR
Day/Night	Three modes: Auto (default), Day, Night
Noise reduction	2D/3D
White balance	Two modes: Auto (default), Manual
WDR	DWDR
Smart IR	Support
Flip	Supports 180° horizontal flip, 180° vertical flip
Defog	Support

AUDIO

Microphone	Built-in Mic
Camera audio	TVI: 1080P@30fps, 1080P@25fps CVI: 1080P@30fps, 1080P@25fps

INTERFACE

Power	5.5mm power interface
Video output	BNC, supports TVI/AHD/CVI/CVBS

OPERATING ENVIRONMENT

Temperature	-30°C to 60°C (-22°F to 140°F)
Humidity	≤95% (RH, non-condensing)
Surge protection	4kV for power and video output interfaces
Ingress protection	IP67
IK rating	IK10

GENERAL

Power	DC 12V(±25%), with reverse polarity protection and surge protection, Max 4.67W
Mount	Surface mount (default), optional tilted mounting bracket
Dimensions	Ø109mm*82.5mm (diameter*height)
Material	Metal
Weight	372g (0.82lb)
Certification	CB, CE, FCC, UL



All American Protection

<http://www.allamericanprotection.net>



COMPATIBLE BRACKETS



Junction Box
Waterproof Joint



Fixed Dome
Junction Box



Fixed Dome Outdoor Wall Mount
with Junction Box



Bullet & Dome Corner Mounting
Bracket



Fixed Dome
Indoor Incline Mount

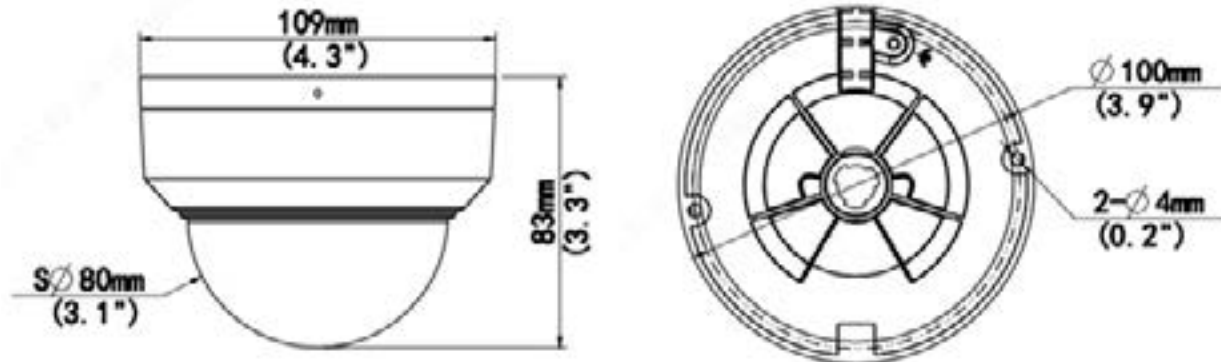


Pole Mount



4-inch Fixed Dome
Indoor Wall Mount

DIMENSIONS



All American Protection

All American Protection
BRINKS HOME SECURITY
 956-997-8543
 AUTHORIZED DEALER
<http://www.allamericanprotection.net>