



VIGILANT FLEX SERIES



Meets federal government technical requirements

## ALIBI VIGILANT FLEX SERIES 5MP STARLIGHT HD-TVI/AHD/CVI/CVBS VANDAL RESISTANT VARIFOCAL DOME CAMERA

### Key Features:

- + 5MP Resolution Dome Camera
- + 4-in-1 Video Output: HD-TVI/AHD/TVI/CVI: 5M@20fps
- + 2.8 - 12mm varifocal lens
- + Starlight chipset (.01 lux) for color video at night
- + 100 feet IR range
- + NDAA compliant
- + DWDR (Digital Wide Dynamic Range)
- + DNR (Digital Noise Reduction)
- + IP67 rating for durability in extreme temperature conditions
- + IK10 housing design for secure installations

### What's Included

- + 5MP fixed lens dome camera
- + Mounting template
- + Mounting hardware
- + Quick start guide

As part of the Alibi Vigilant Flex Series, this 5MP 4-in-1 varifocal dome security camera delivers crisp video day or night, providing HD-TVI/AHD/CVI/CVBS output for maximum compatibility. This product has been specifically designed and manufactured to comply with the latest technical requirements specified under NDAA regulations.

**Up the Coax (UTC)** technology grants you control over the camera's onscreen display (OSD) from your web browser and the Alibi CMS or smartphone app.

**Multi-megapixel resolution** - Get more detail from your video camera. This camera captures high-resolution video footage that delivers crisp detail and clarity for your video security needs.

**3D Digital Noise Reduction (DNR)** effectively filters noise to produce a crisper, clear video stream.

**IP67 weatherproof housing** -this camera can handle long-term durability even among extreme weather conditions such as rain, snow, and ice.

**Full Frame Illumination with Smart IR** Smart full-frame illumination technology offers several advantages over standard IR for flawless night vision, including:

- Clearer, brighter images in low light and at night
- Reduces overexposure of the IR LEDs at the center of the image
- Increases illuminant efficiency up to 30%
- Produces LED light in rectangle form to better fit screen size
- Captures images in the dark without washing out the subject at closer ranges
- Reduces video noise for a clearer nighttime picture and reduces bandwidth consumption and video storage requirements

**Innovative Day/Night Scene Detection** - includes a hardware sensor for smart software imaging that detects surveillance scene illumination. Designed to be water and dust-proof, this allows you to avoid unexpected costs of hardware failure.

**Intuitive interface** - everything you need to manage your system at your fingertips. With an intuitive interface and access to the free Alibi CMS and mobile app, system management has never been simpler.



Alibi Security  
877-711-9216  
<https://alibidealer.com>

## SPECIFICATIONS

### CAMERA

Image Sensor	1 / 2.7 "CMOS
Resolution	5MP
Image Size	2560 x 1936
Video Output	AHD / TVI /CVI/CVBS
Image System	PAL / NTSC
Electronic Shutter	Auto
IR Distance	65-98 feet (20 -30 m)
Frame Rate	5MP @20fps
Min. Illumination	Color : 0.01 lux@F1.2, AGC ON; B/W : 0 lux with IR
Lens	2.8-12 mm ( motorized )
Field of View	91.2°- 33.4°
Lens Mount	D14
S / N Ratio	≥52dB ( AGC OFF )
Ingress Protection	IP67 & IK10

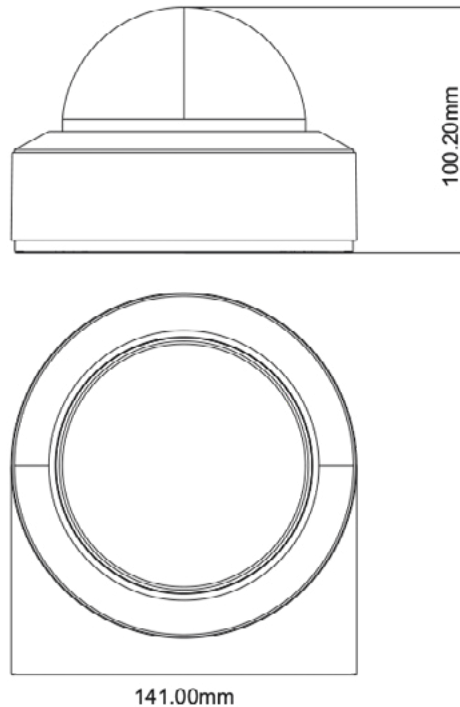
### FUNCTIONS

Function Control	OSD ( COC Control )
Day & Night	ICR
Digital WDR	Yes
Digital NR	Yes
AGC	Yes
Auto White Balance	Yes
BLC	Yes
LSC	Yes
Defog	No
HLC	Yes
Sharpness	Yes
Mirror	Yes
Smart IR	Yes
Image Setting	Yes
Defect Correction	Yes
Language	13 languages
Angle Adjustment	Pan: 0°-345°; Tilt: 0°-77°; Rotation: 0°-345°

### OTHERS

Power Supply	DC12V ( ± 10% )
Power Consumption	IR OFF : < 1W; IR ON : < 6W
Working Environment	-22 - 122°F (-30°C - 50°C), 10 % - 90 % (relative humidity)
Dimensions	5.55" x 3.94" (141 x 100.2 mm)
Weight	Approx. 0.83KG

## DIMENSIONS



## BRACKETS

