



VIGILANT PERFORMANCE SERIES



ALIBI VIGILANT PERFORMANCE 5MP STARLIGHT 131 FEET IR IP BULLET CAMERA

Key Specifications:

- + 5MP resolution 2880 x 1620 @ 25fps
- + 2.8mm @ F1.6
- + Smart IR up to 131 feet nighttime viewing
- + Starlight technology - Colour: 0.003Lux, 0 Lux with IR
- + Built-in mic
- + MicroSD, up to 256GB
- + ANR, NAS(NFS) Network Storage
- + ONVIF (Profile S, Profile G, Profile T), API
- + Up to 120dB true WDR (Wide Dynamic Range)
- + IP67 protection rating
- + Meets NDAA federal government compliance requirements
- + One-click Cloud firmware updating.

The ALIBI® Vigilant Performance Series, 5MP 131 feet IR Fixed Bullet Camera delivers crisp video day or night. It also offers flexible storage solutions, with a built-in micro SD slot - enabling local storage up to 256GB and includes a built-in mic for powerful audio surveillance.

- + **3D Digital Noise Reduction (DNR)** effectively filters noise to produce a crisper, clear video stream.
- + **IP67 weatherproof housing** - this bullet camera delivers long-term durability even among extreme weather conditions such as rain, snow, and ice and has a wide temperature range of -22 degrees to 140 degrees Fahrenheit.



**ACCESS CONTROL
CONNECTION**

Access Control Connection

831-402-9411

<http://www.commercialsurveillancesystems.com>

SPECIFICATIONS

CAMERA

Sensor	1/2.7", 5.0 megapixel, progressive scan, CMOS	
Lens	2.8mm@F1.6	4.0mm@F1.6
Angle of View (H)	112.7°	86.5°
Angle of View (V)	60.1°	44.1°
Angle of View (O)	146.5°	112.5°
Adjustment angle	Pan: 0° - 360° Tilt: 0° - 90° Rotate: 0° - 360°	
Shutter	Auto/Manual, 1 - 1/100000s	
Minimum Illumination	Colour: 0.0 03 Lux (F 1.6 , AGC) 0Lux with IR on	
Digital noise reduction	2D/3D DNR	
Day/Night	IR-cut filter with auto switch (ICR)	
S/N	>56dB	
IR Range	Up to 40m (131 ft) IR range	
Wavelength	850nm	
IR On/Off Control	Auto/Manual	
Defog	Digital Defog	
WDR	120dB	

DORI DISTANCE

Lens (mm)	2.8	4.0
Detect (m)	63.0	90.0
Observe (m)	25.2	36.0
Recognize (m)	12.6	18.0
Identify (m)	6.3	9.0

IMAGE

White Balance	Auto/Outdoor/Fine Tune/Sodium Lamp/Locked/Auto2
Digital Noise Reduction	2D/3D DNR
Smart IR	Support
Flip	Normal/Vertical/Horizontal/180°/90°Clockwise/90°Anti-clockwise
Dewarping	N/A
HLC	Supported
BLC	Supported

VIDEO

Video Compression	Ultra 265, H.265, H.264, MJPEG
H.264 code profile	Baseline profile, Main profile, High profile
Frame Rate	Main Stream:5MP (2880*1620), Max 25fps; 4MP (2560*1440), Max 25fps; 3MP (2304*1296), Max 25fps; 1080P (1920*1080), Max 30fps; Sub Stream: 720P (1280*720), Max 30fps; D1 (720*576), Max 30fps; 640*360,Max 30fps; 2CIF(704*288), Max 30fps; CIF(352*288), Max 30fps; Third Stream: D1 (720*576), Max 30fps; 640*360,Max 30fps; 2CIF(704*288), Max 30fps; CIF(352*288), Max 30fps;
9:16 Corridor Mode	Supported
Video Bit Rate	128 Kbps-16 Mbps
OSD	Up to 8 OSDs
Privacy Mask	Up to 4 areas
ROI	Up to 8 areas
Motion Detection	Up to 4 areas

AUDIO

Audio Compression	G.711
Suppression	Supported
Sampling Rate	8KHZ

STORAGE

Edge Storage	Micro SD, up to 256GB
Network Storage	ANR, NAS(NFS)

NETWORK

Protocols	IPv4, IGMP, ICMP, ARP, TCP, UDP, DHCP, RTP, RTSP, RTCP, DNS, DDNS, NTP, FTP, UPnP, HTTP, HTTPS, SMTP, SSL , SNMP
Compatible Integration	ONVIF (Profile S, Profile G, Profile T), API
Client	Alibi Vigilant CMS Alibi Vigilant Toolbox Alibi Vigilant Mobile
Web Browser	Plug-in required live view: IE9+, Chrome 41 and below, Firefox 52 and below Plug-in free live view: Chrome 57.0+, Firefox 58.0+, Edge 16+, Safari 11+

INTERFACE

Network	1 RJ45 10M/100M Base-TX Ethernet
Built-in Mic	Supported



ACCESS CONTROL CONNECTION

<http://www.commercialsurveillancesystems.com>

Access Control Connection

831-402-9411

SPECIFICATIONS

CERTIFICATIONS

Certifications	CE: EN 60950-1 UL: UL60950-1 FCC: FCC Part 15
----------------	---

GENERAL

Power	DC 12V±25%, PoE (IEEE 802.3af) Power consumption: Max 5.0W
Dimensions (L × W × H)	155.9 × 63.1 × 62.7mm (6.1" × 2.5" × 2.5")
Net Weight	0.425kg (0.93lb)
Material	Metal
Working Environment	-30°C - 60°C (-22°F - 140°F), Humidity: ≤95% RH (non-condensing)
Storage Environment	-30°C - 60°C (-22°F - 140°F), Humidity: ≤95% RH (non-condensing)
Surge Protection	2KV
Ingress Protection	IP67
Reset Button	Supported

COMPATIBLE BRACKETS



Junction Box
Waterproof Joint



Junction Box For Mini Bullet
Cameras



3in Electric-box Transfer Plate
for Fixed Lens Camera



Bullet & Dome Corner
Mounting Bracket



Pole Mount Adapter for Bullet
Cameras



Pole Mount Adapter for Bullet
Cameras



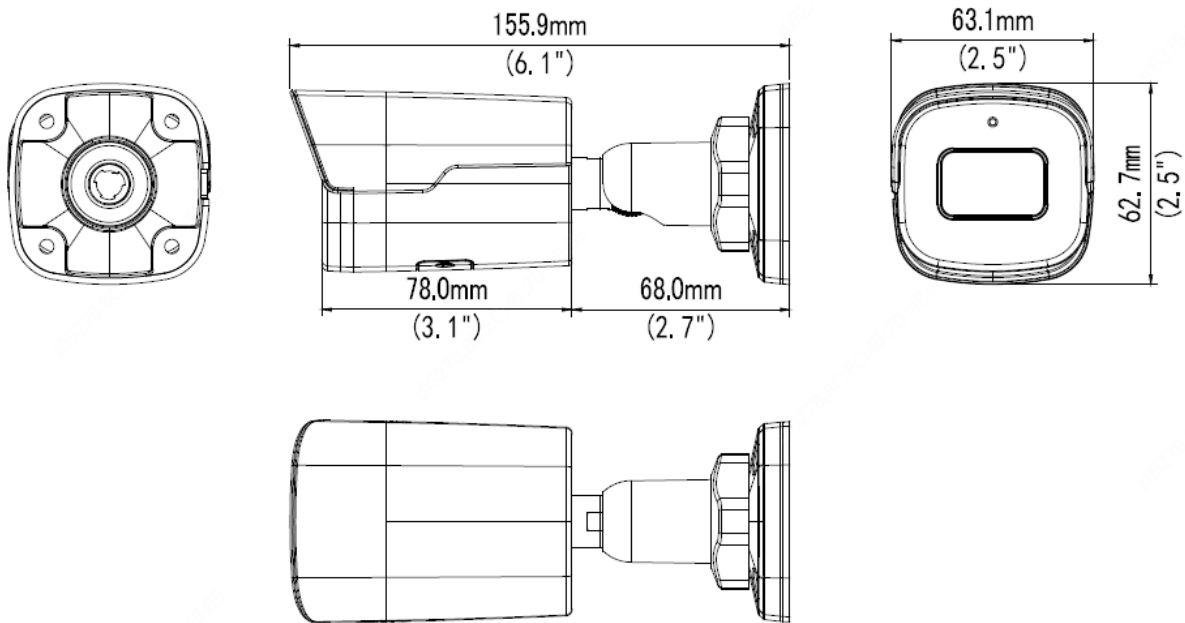
**ACCESS CONTROL
CONNECTION**

Access Control Connection

831-402-9411

<http://www.commercialsurveillancesystems.com>

DIMENSIONS



ACCESS CONTROL CONNECTION

<http://www.commercialsurveillancesystems.com>

Access Control Connection

831-402-9411